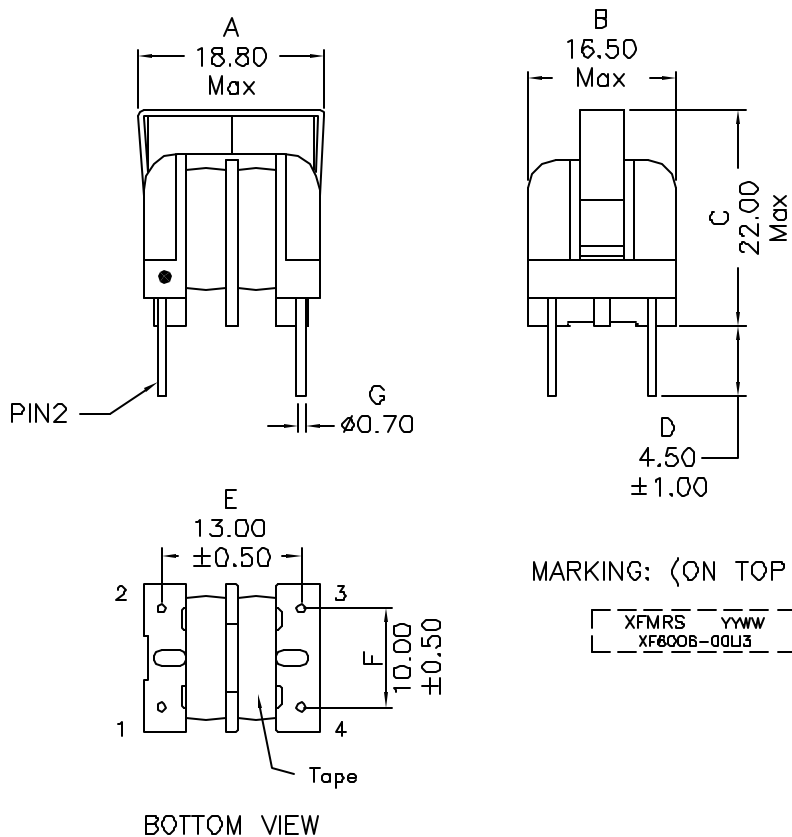
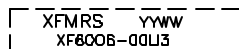


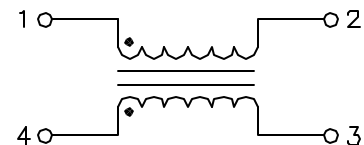
1. Mechanical Dimensions:



MARKING: (ON TOP OF CLIP)



2. Schematic:



3. Electrical Specifications: @25°C

Inductance: 600uH Min @1KHz 1V (Each Wdg)

Q: 10 Min @10KHz 0.1V (Each Wdg)

LL: Pins 1-2 2.8uH Min @100KHz 0.1V (short 4-3)

DC Resistance: 0.032 Ohms Max (Each Wdg)

Rated Voltage: 600Vdc

Rated Current: 5Adc

HI-POT: 2000VAC Wdg to Wdg for 1 Second

Notes:

1. Solderability: Leads shall meet MIL-STD-202G, Method 208H for solderability.
2. Flammability: UL94V-0
3. ASTM oxygen Index: > 28%
4. Insulation System: Class F 155°C. UL file E151556
5. Operating Temperature Range: All listed parameters are to be within tolerance from -40°C to +85°C
6. Storage Temperature Range: -55°C to +125°C
7. Aqueous wash compatible
8. Electrical and mechanical specifications 100% tested
9. RoHS Compliant Component

DOC. REV: A/3

XFMR5 Inc www.XFMR5.com	Title: LINE FILTER		
UNLESS OTHERWISE SPECIFIED TOLERANCES: .xx ±0.25 Dimensions in MM	P/N: XF6006-00U3		REV. A
	DWN.	Feng	Jun-08-12
SHEET 1 OF 1	CHK.	YK Liao	Jun-08-12
	CHK.	Joe Huff	Jun-08-12