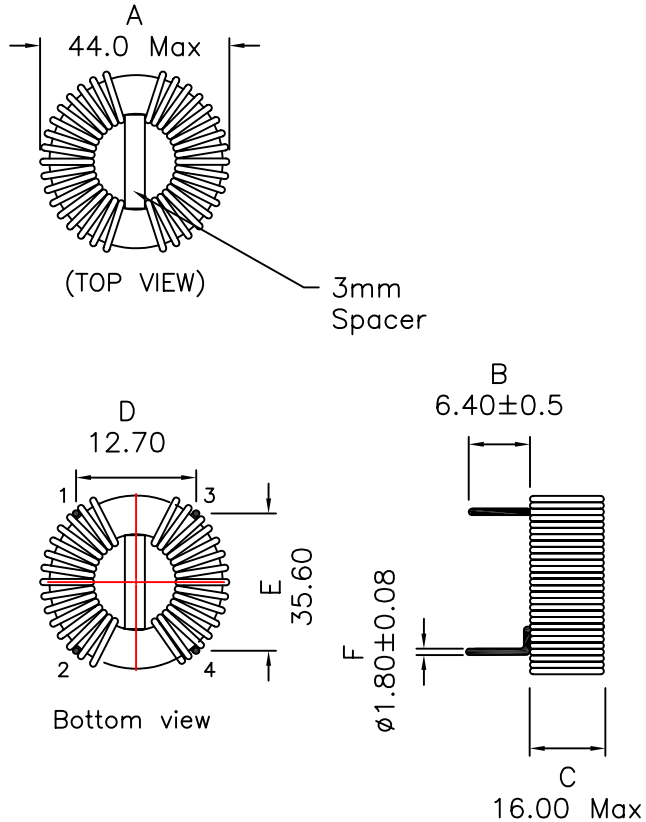


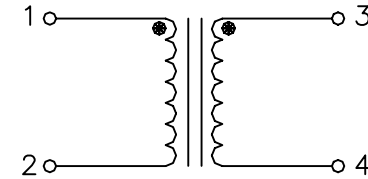
1. Mechanical Dimensions:



Notes:

1. Solderability: Leads shall meet MIL-STD-202G, Method 208H for solderability.
2. Flammability: UL94V-0
3. ASTM oxygen index: > 28%
4. Insulation System: Class F 155°C. UL file E151556
5. All listed parameters are to be within tolerance from -40°C to +85°C unless otherwise noted
6. Storage Temperature Range: -55°C to +125°C
7. Aqueous wash compatible
8. Electrical and mechanical specifications 100% tested
9. RoHS Compliant Component

2. Schematic:



3. Electrical Specifications: @25°C

OCL: 520uH Min @10KHz 0.1V, Each Wdg

200uH Min @10KHz 0.1V, Each Wdg at -40°C to 0°C

520uH Min @10KHz 0.1V, Each Wdg at 0°C to 85°C

Q: 5 Min @10KHz 0.1V, Each Wdg

LL: 8uH Max @10KHz 0.1V Short Opp. Wdg.

DCR: 2.9 mOhms Max, Each Wdg

CURRENT RATING: 20A

Hi-pot: 1500Vac for 2 Sec Wdg to Wdg

DOC REV: B/2

XFMRs Inc. www.XFMRs.com		Title: COMMON MODE CHOKE	
UNLESS OTHERWISE SPECIFIED TOLERANCES: .xx ±0.25 Dimensions in MM		P/N: XF5206-HOCMC	REV. B
		DWN.	Xianyi
		CHK.	YK Liao
SHEET 1 OF 1		APP.	BW
			Dec-16-09
			Dec-16-09
			Dec-16-09