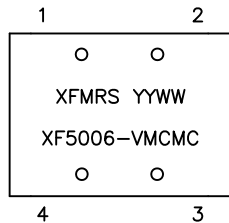
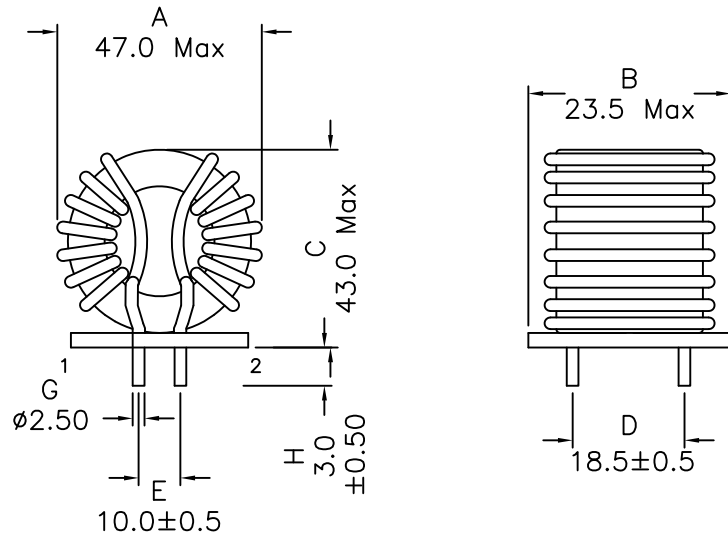
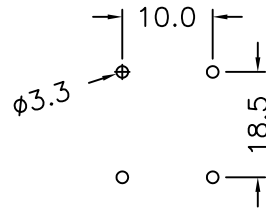


## 1. Mechanical Dimensions:

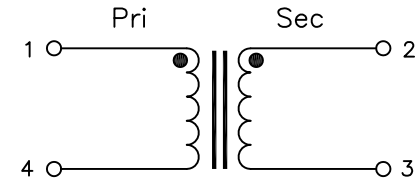


Bottom view



Pad Layout

## 2. Schematic:



## 3. Electrical Specifications:

OCL: 500uH±30% @100KHz 0.1V, Each Wdg

Q: tbd @100KHz 0.1V, Each Wdg

DCR: 2.3 mOhms Max, Each Wdg

Turns Ratio: (1-4):(2-3) = 1:1±2%

Hipot: 1500Vac Pri to Sec

Rated Current: 35A

Rated Voltage: 250V

### Notes:

- Solderability: Leads shall meet MIL-STD-202G, Method 208H for solderability.
- Flammability: UL94V-0
- ASTM oxygen index: > 28%
- Insulation System: Class H 180°C. UL file E151556
- Operating Temperature Range: All listed parameters are to be within tolerance from -40°C to +125°C (Ambient + Temp Rise)
- Storage Temperature Range: -55°C to +125°C
- Aqueous wash compatible
- Electrical and mechanical specifications 100% tested
- RoHS Compliant Component
- Leads tinned with 99.5%Sn / 0.5%Cu

**PRELIMINARY**

DOC. REV: A/-

<b>XFMS Inc.</b> www.XFMS.com	Title: Common Mode Choke		
UNLESS OTHERWISE SPECIFIED TOLERANCES: .xx ±0.25 Dimensions in MM	P/N: XF5006-VMCMC		REV. A
	DWN.	Feng	Oct-08-14
SHEET 1 OF 1	CHK.	YK Liao	Oct-08-14
	APP.	DDC	Oct-08-14

**PROPRIETARY**

Document is the property of XFMS Group & is not allowed to be duplicated without authorization.