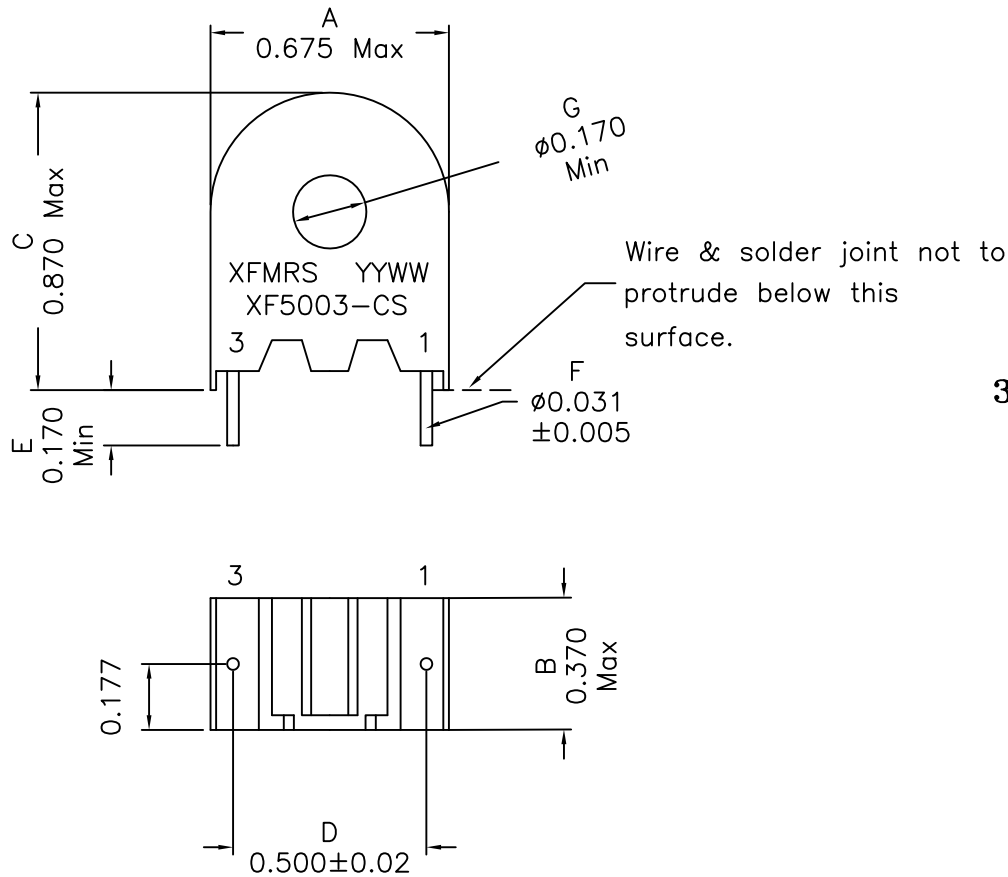


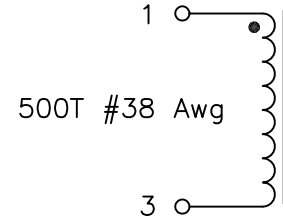
1. Mechanical Dimensions:



Notes:

1. Solderability: Leads shall meet MIL-STD-202G, Method 208H for solderability.
2. Flammability: UL94V-0
3. ASTM oxygen index: > 28%
4. Insulation System: Class F 155°C. UL file E151556
5. All listed parameters are to be within tolerance from -40°C to +85°C unless otherwise noted.
6. Storage Temperature Range: -55°C to +125°C
7. Aqueous wash compatible
8. Electrical and mechanical specifications 100% tested
9. RoHS Compliant Component

2. Schematic:



TOROID: ACME A07 T12.7x7.92x6.35C

3. Electrical Specifications: @25°C

OCL: Pins 1-3 500mH Min @1.0KHz,1.0V

Pins 1-3 450mH Min @1.0KHz,1.0V 0°C to -40°C

Q: Pins 1-3 20 Min @1.0KHz,1.0V

Sensed Current: 40A Max

Terminating Resistor: 500 Ohm

DCR: Pins 1-3 30 Ohms Max

DOC. REV: A/2

XFMRs Inc. www.XFMRS.com	Title: Current Sense Xfmr			
	UNLESS OTHERWISE SPECIFIED TOLERANCES: .xxx±0.010 Dimensions in Inch		P/N: XF5003-CS DWN. Yuan CHK. YK Liao APP. BW	REV. A Feb-04-13 Feb-04-13 Feb-04-13
SHEET 1 OF 1				

PROPRIETARY

Document is the property of XFMRs Group & is not allowed to be duplicated without authorization.