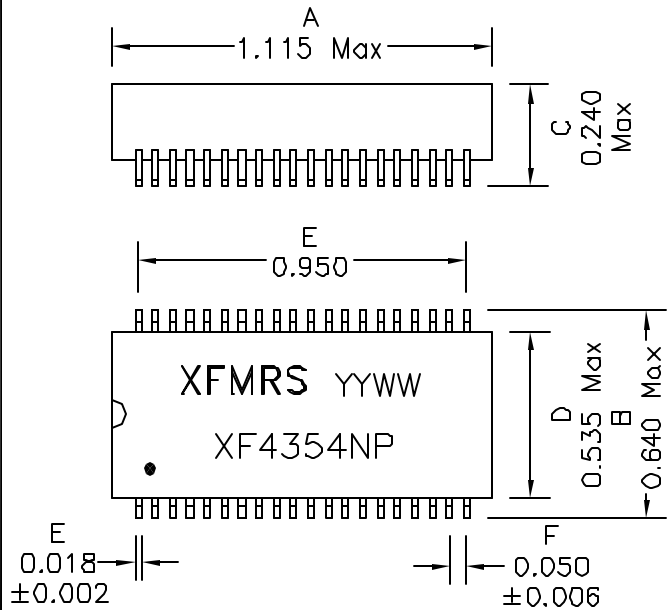


### 1. Mechanical Dimensions:

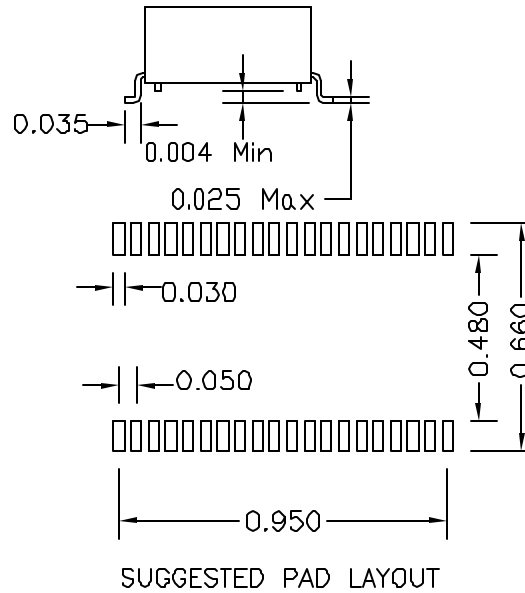


### 3. Electrical Specifications: @25°C

Turns Ratio: PRI/SEC TX 1:2.42 RX 1:2.42  
 Isolation Voltage: 1500 Vrms (Input to Output)  
 PRI OCL: 950uH Min @10KHz, 0.1V  
 PRI LL: 0.3uH Max @1MHz, 0.1V Secs Shorted  
 PRI DCR: 0.6 Ohms Max  
 Sec DCR: 1.3 Ohms Max  
 PRI/SEC Cw/w: 35pF Typical @100KHz 100mV  
 RETURN LOSS at 102KHz:

Tx - 18dB typ Rx - 27dB typ @25°C  
 Tx - 17dB typ Rx - 24dB typ @-40 to +85°C

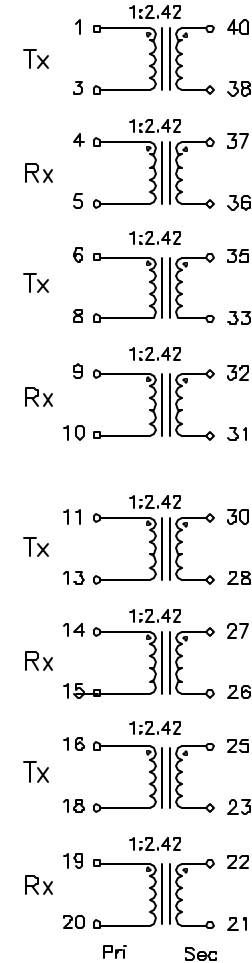
### 2. Schematic:



SUGGESTED PAD LAYOUT

Notes:

- Solderability: Leads shall meet MIL-STD-202G, Method 208H for solderability.
- Flammability: UL94V-0
- ASTM oxygen Index: > 28%
- Insulation System: Class F 155°C. UL file E151556
- Operating Temperature Range: All listed parameters are to be within tolerance from -40°C to +85°C
- Storage Temperature Range: -55°C to +125°C
- Aqueous wash compatible
- SMD Lead Coplanarity: ±0.004\*(0.102mm)
- Electrical and mechanical specifications 100% tested
- RoHS Compliant Component
- Designed to meet EN60950 for Functional Insulation.



**PROPRIETARY** Document is the property of XFMRS Group & is not allowed to be duplicated without authorization.

DOC REV: A/1

XFMRS Inc www.XFMRS.com	Title: Octal Xfmr T1/E1 for PM4354		
	UNLESS OTHERWISE SPECIFIED TOLERANCES: .xxx ±0.010	P/N: XF4354NP	REV. A
Dimensions in INCH	DWN. Juan Mao	May-29-08	
SCALE 2:1 SHT 1 OF 2	CHK. YK Liao	May-29-08	
	APP. Joe Huff	May-29-08	