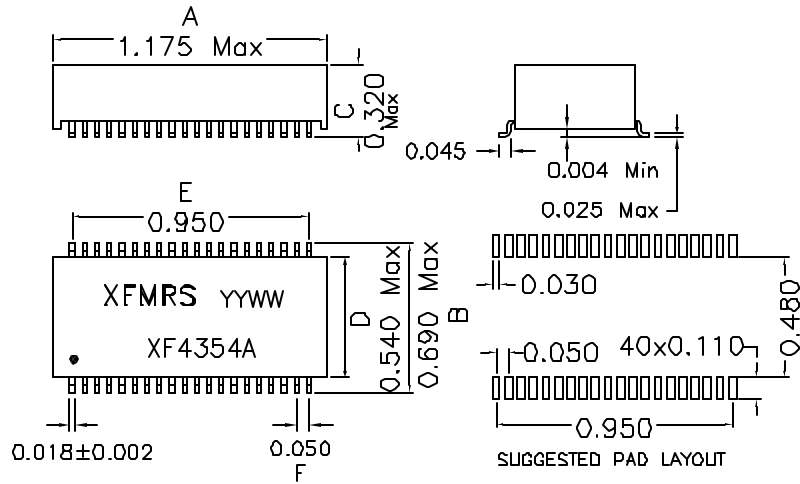


### 1. Mechanical Dimensions:



### 3. Electrical Specifications: @25°C

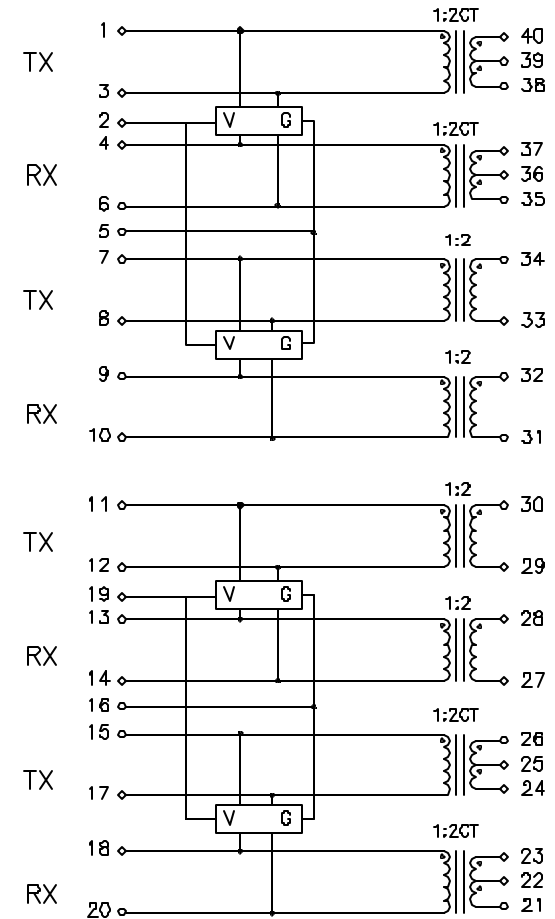
- Turns Ratio: CHIP/LINE TX 1:2, RX 1:2
- Isolation Voltage: 1500 Vrms (Input to Output)
- PRI OCL: TX & RX 1.5mH Min @10KHz 0.1V
- PRI LL: TX & RX 0.3uH Max @1MHz 0.1V, Short Sec
- PRI/SEC Cw/w: 35pF Max @10KHz 0.1V
- PRI DCR: TX & RX 0.60 Ohms Max
- SEC DCR: TX & RX 1.20 Ohms Max
- RETURN LOSS: @102KHz 25°C, -40°C to +85°C
  - TX: 20dB Typ, 19dB Min
  - RX: 20dB TYP

Notes:

- Solderability: Leads shall meet MIL-STD-202G, Method 208H for solderability.
- Flammability: UL94V-0
- ASTM oxygen index: > 28%
- Insulation System: Class F 155°C. UL file E151556
- Operating Temperature Range: All listed parameters are to be within tolerance from -40°C to +85°C
- Storage Temperature Range: -55°C to +125°C
- Aqueous wash compatible
- SMD Lead Coplanarity: ±0.004\*(0.102mm)
- Electrical and mechanical specifications 100% tested
- RoHS Compliant Component

DOC. REV.: A/4

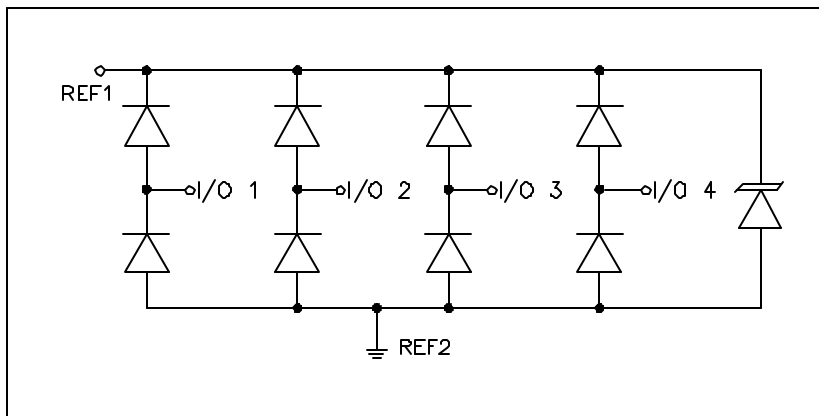
### 2. Schematic:



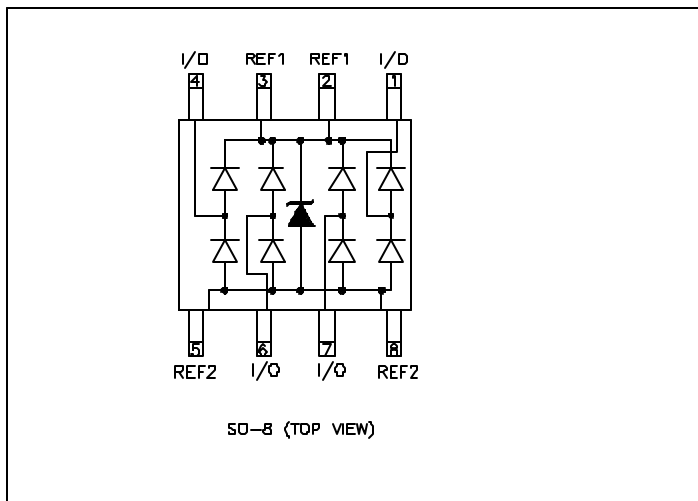
**PROPRIETARY** Document is the property of XFMRS Group & is not allowed to be duplicated without authorization.

<b>XFMRS Inc</b>	Title: QUAD PORT T1/CEPT/ISDN-PRI TRANSFORMER		
	UNLESS OTHERWISE SPECIFIED TOLERANCES: .xxx ±0.010	P/N: XF4354A	REV. A
Dimensions in INCH	DWN. 罗振江	Feb-02-07	
SCALE 2:1 SHT 1 OF 2	CHK. 廖玉坤	Feb-02-07	
	APP. MS	Feb-02-07	

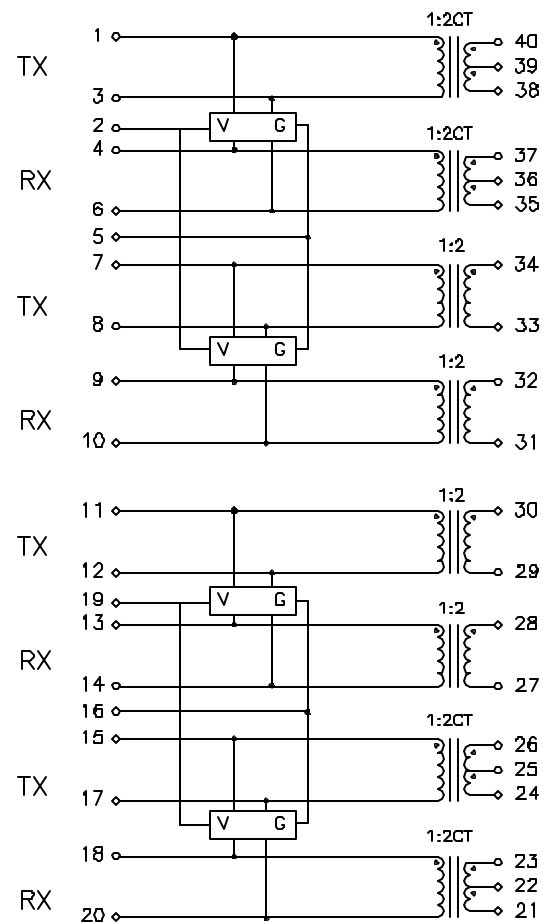
### CIRCUIT DIAGRAM:



### SCHEMATIC & PIN CONFIGURATION:



### 2. Schematic:



DETAILS FOR P/N: XF4354A "V G" PORTION OF THE CIRCUIT

<b>XFMRs Inc</b>	Title: QUAD PORT T1/CEPT/ISDN-PRI TRANSFORMER		
	UNLESS OTHERWISE SPECIFIED TOLERANCES: .xxx ±0.010 Dimensions in INCH	P/N: XF4354A	REV. A
SCALE 2:1 SHT 2 OF 2	DWN.	罗振江	Feb-02-07
	CHK.	廖玉坤	Feb-02-07
	APP.	MS	Feb-02-07

DOC. REV.: A/4