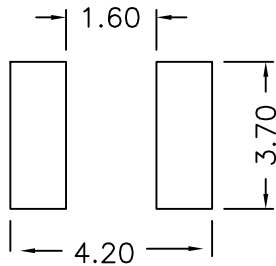
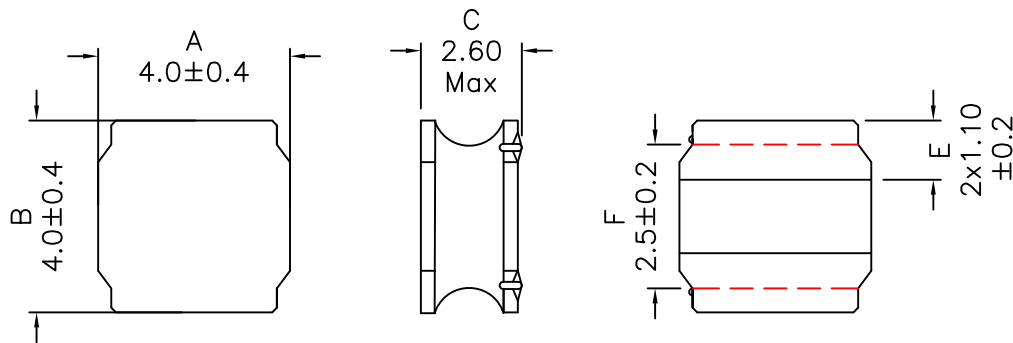


1. Mechanical Dimensions:

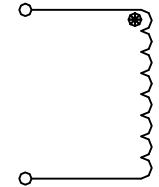


Recommended Land Patterns

PRELIMINARY

DOC REV: A/-

2. Schematic:



3. Electrical Specification:

OCL: $100 \mu\text{H} \pm 20\%$ @100KHz 0.25V

Q: tbd Min @100KHz 0.25V

Isat: 0.30A (Based on 30% Typ Drop in OCL)

Irms: 0.30A (Based on 40°C Temp Rise)

DCR: 1.20 Ohms Max

Notes:

- Solderability: Leads shall meet MIL-STD-202G, Method 208H for solderability.
- Flammability: UL94V-0
- ASTM oxygen index: > 28%
- Insulation System: Class F 155°C. UL file E151556
- Operating Temperature Range: All listed parameters are to be within tolerance from -40°C to +125°C
- Storage Temperature Range: -55°C to +125°C
- Aqueous wash compatible
- SMD Lead Coplanarity: $\pm 0.004"$ (0.102mm)
- Electrical and mechanical specifications 100% tested
- RoHS Compliant Component

XFMRs Inc. www.XFMRS.com	Title: HIGH CURRENT SELF-LEADED SMT INDUCTORS		
UNLESS OTHERWISE SPECIFIED TOLERANCES: .xx ± 0.25 Dimensions in MM	P/N: XF404026-101M		REV. A
	DWN.	Xianyi	Jan-25-17
	CHK.	YK Liao	Jan-25-17
SHEET 1 OF 1	APP.	GL	Jan-25-17