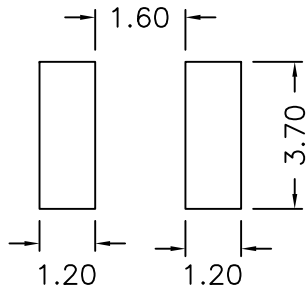
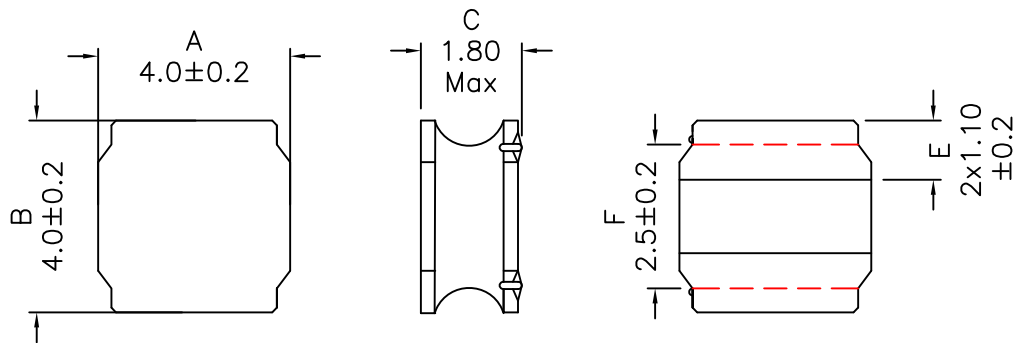


1. Mechanical Dimensions:

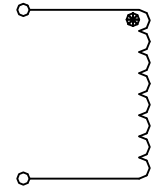


Recommended Land Patterns

PRELIMINARY

DOC REV: A/-

2. Schematic:



3. Electrical Specification:

OCL: $150 \mu\text{H} \pm 20\%$ @100KHz 1V
 Q: tbd Min @100KHz 1V
 Isat: 0.35 Adc (Based on 30% Typ Drop in OCL)
 Irms: 0.32Adc (Based on 40°C Temp Rise)
 DCR: 2.400 Ohms Max

Notes:

- Solderability: Leads shall meet MIL-STD-202G, Method 208H for solderability.
- Flammability: UL94V-0
- ASTM oxygen index: > 28%
- Insulation System: Class F 155°C. UL file E151556
- Operating Temperature Range: All listed parameters are to be within tolerance from -40°C to +85°C
- Storage Temperature Range: -55°C to +125°C
- Aqueous wash compatible
- SMD Lead Coplanarity: $\pm 0.004"$ (0.102mm)
- Electrical and mechanical specifications 100% tested
- RoHS Compliant Component

XFMRs Inc. www.XFMRS.com		Title: HIGH CURRENT SELF-LEADED SMT INDUCTORS	
UNLESS OTHERWISE SPECIFIED TOLERANCES: .xx ± 0.25 Dimensions in MM	P/N: XF404018-151M		REV. A
	DWN.	Xianyi	Mar-08-16
	CHK.	YK Liao	Mar-08-16
SHEET 1 OF 1	APP.	DDC	Mar-08-16