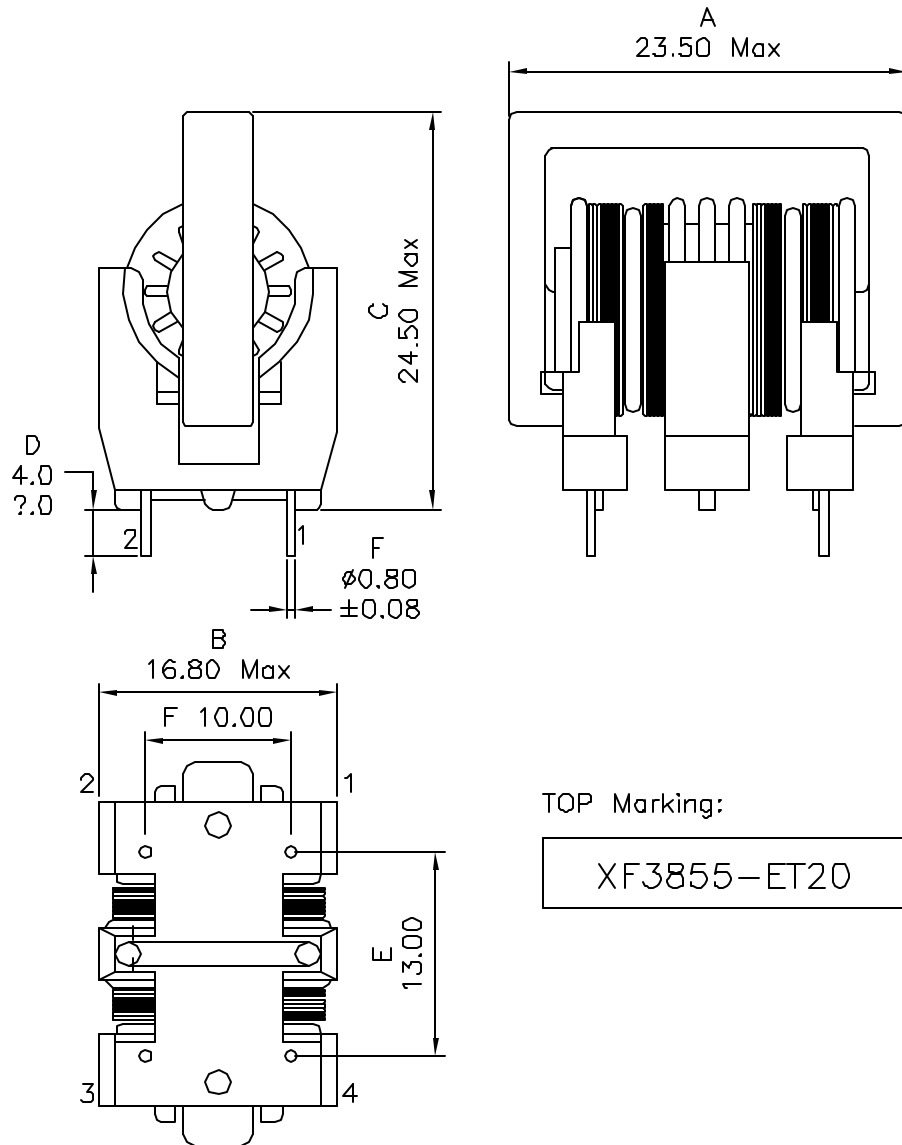
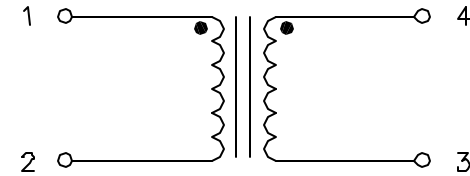


1. Mechanical Dimensions:



2. Schematic:



3. Electrical Specifications:

OCL: 3.85mH Min @1KHz 0.1V, Each Wdg
 DCR: 0.250 Ohms Max, Each Wdg
 IDC: 2.0Arms Max
 Rated Voltage: 250Vac/dc
 Isolation Voltage: 1500Vac Wdg to Wdg

Notes:

1. Solderability: Leads shall meet MIL-STD-202G, Method 208H for solderability.
2. Flammability: UL94V-0
3. ASTM oxygen index: > 28%
4. Insulation System: Class F 155°C, UL file E15155B
5. Operating Temperature Range: All listed parameters are to be within tolerance from -40°C to +85°C
6. Storage Temperature Range: -55°C to +125°C
7. Aqueous wash compatible
8. Electrical and mechanical specifications 100% tested
9. RoHS Compliant Component

XFMRs Inc www.XFMRs.com	Title: LINE FILTER			
	UNLESS OTHERWISE SPECIFIED TOLERANCES:	P/N: XF3855-ET20	REV. A	
.xx ±0.30	DWN.	Juan Mao	Apr-25-08	
Dimensions in mm	CHK.	YK Liao	Apr-25-08	
SHEET 1 OF 1	APP.	Joe uff	Apr-25-08	

DOC REV: A/2