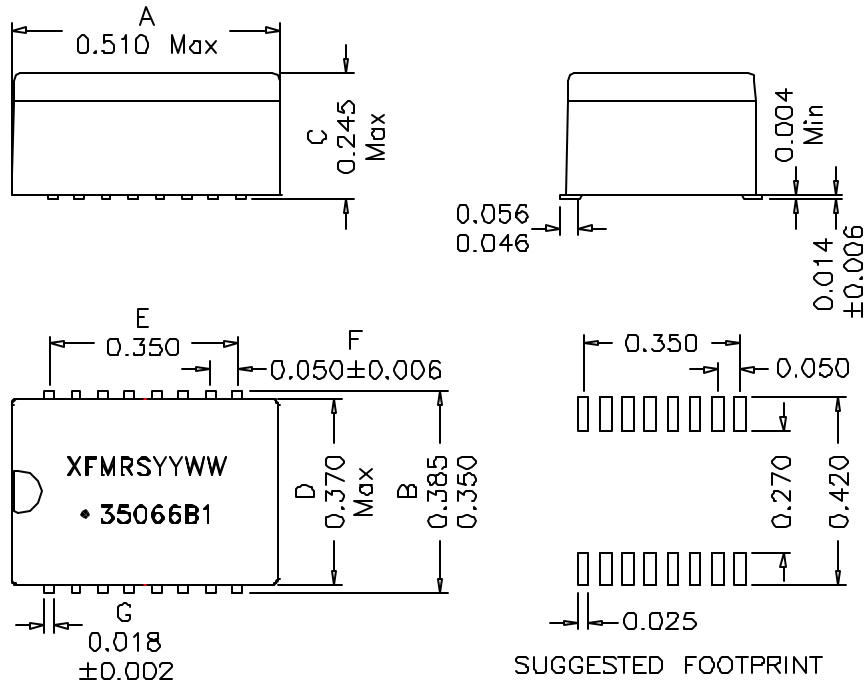
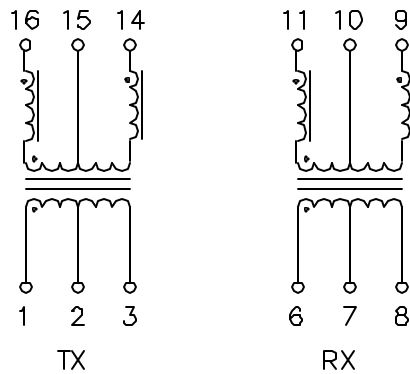


1. Mechanical Dimensions:



2. Schematic:



3. Electrical Specifications: @25°C

Isolation Voltage: 1500Vac
 Turns Ratio: Pins (1-2-3):(16-15-14)=1CT:1CT±3%
 Turns Ratio: Pins (6-7-8):(11-10-9)=1CT:1CT±3%
 OCL: Pins 1-3, 6-8 350uH Min @100KHz 0.1V, BmAdc
 Q: Pins 1-3, 6-8 15 Min @10KHz 50mV,
 Cw/w: 15pF Typical @100KHz 0.1V (Pri/Sec)
 LL: Pins 1-3 0.4uH Max @100KHz 0.1V, Short Pins 16-14
 LL: Pins 6-8 0.4uH Max @100KHz 0.1V, Short Pins 11-9
 DC Resistance: Pins 11-9, 16-14 1.10 Ohms Max
 DC Resistance: Pins 1-3, 6-8 0.60 Ohms Max
 RISE TIME (10%-90%): 2.5nS TYPICAL
 INSERTION LOSS: -1.1dB Max @100KHz-100MHz
 RETURN LOSS: -18dB TYPICAL @500KHz-30MHz
 RETURN LOSS: -15.5dB TYPICAL @40MHz
 RETURN LOSS: -13.6dB TYPICAL @50MHz
 RETURN LOSS: -12dB TYPICAL @60MHz-80MHz
 CROSSTALK: -40dB TYPICAL @100KHz-100MHz

Notes:

1. Solderability: Leads shall meet MIL-STD-202G, Method 208H for solderability.
2. Flammability: UL94V-0
3. ASTM oxygen index: > 28%
4. Insulation System: Class F 155°C, UL file E151556
5. Operating Temperature Range: All listed parameters are to be within tolerance from -40°C to +85°C
6. Storage Temperature Range: -55°C to +125°C
7. Aqueous wash compatible
8. SMD Lead Coplanarity: ±0.004"(0.102mm)
9. Electrical and mechanical specifications 100% tested
10. RoHS Compliant Component

DOC. REV: C/2

PROPRIETARY Document is the property of XFMR5 Group & is not allowed to be duplicated without authorization.

XFMR5 Inc. www.XFMR5.com		Title: 10/100BASE-T MAGNETICS MODULES	
UNLESS OTHERWISE SPECIFIED TOLERANCES: .xxx ±0.010 Dimensions in Inch	P/N: XF35066B1		REV. C
	DWN.	Feng	Feb-29-12
	CHK.	YK Liao	Feb-29-12
SHT 1 OF 1	APP.	Joe Huff	Feb-29-12