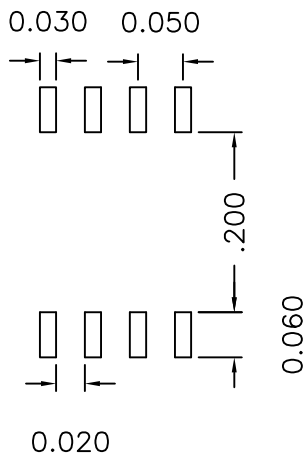
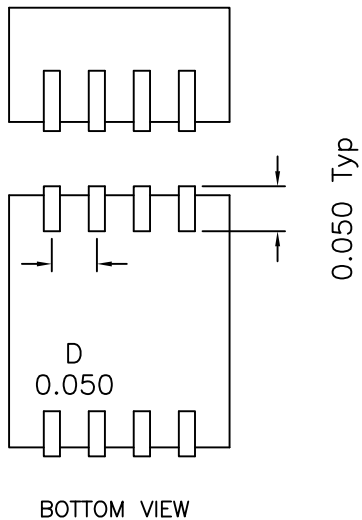
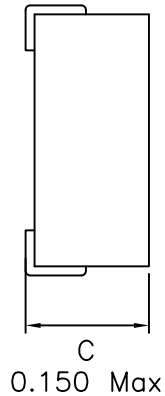
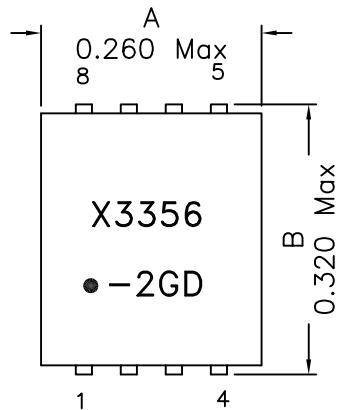
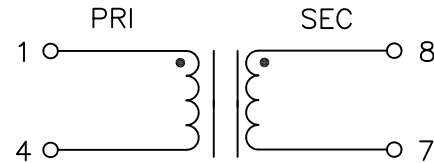


1. Mechanical Dimensions:



Mounting Pattern

2. Schematic:



3. Electrical Specifications: @25°C

- OCL: Pins 1-4 335.2uH Min @10KHz, 0.1V
- OCL: Pins 1-4 260uH Min @10KHz, 0.1V at -40C
- LL: Pins 1-4 0.36uH Max @100KHz, 0.1V Short Secs
- DCR: Pins 1-4 0.70 Ohms Max
- DCR: Pins 8-7 0.70 Ohms Max
- Turns Ratio: Pins 1-4:8-7 = 1:1
- Isolation Voltage: 1500Vdc Wdg. to Wdg.
- Volt-uS: 9.3 Max

Notes:

1. Solderability: Leads shall meet MIL-STD-202G, Method 208H for solderability.
2. Flammability: UL94V-0
3. ASTM oxygen index: > 28%
4. Insulation System: Class F 180°C. UL file E151556
5. All listed parameters are to be within tolerance from -40C to +85C unless otherwise noted.
6. Storage Temperature Range: -55°C to +125°C
7. Aqueous wash compatible
8. SMD Lead Coplanarity: ±0.004"(0.102mm)
9. Electrical and mechanical specifications 100% tested
10. RoHS Compliant Component

DOC. REV A/2

XFMRS Inc. www.XFMRs.com		Title: Gate Drive XFMR	
UNLESS OTHERWISE SPECIFIED		P/N: XF3356-2GD	REV. A
TOLERANCES: .xxx ±0.010		DWN.	Yuan Jun-21-13
Dimensions in INCH		CHK.	YK Liao Jun-21-13
SHEET 1 OF 1		APP.	BW Jun-21-13

PROPRIETARY

Document is the property of XFMRs Group & is not allowed to be duplicated without authorization.