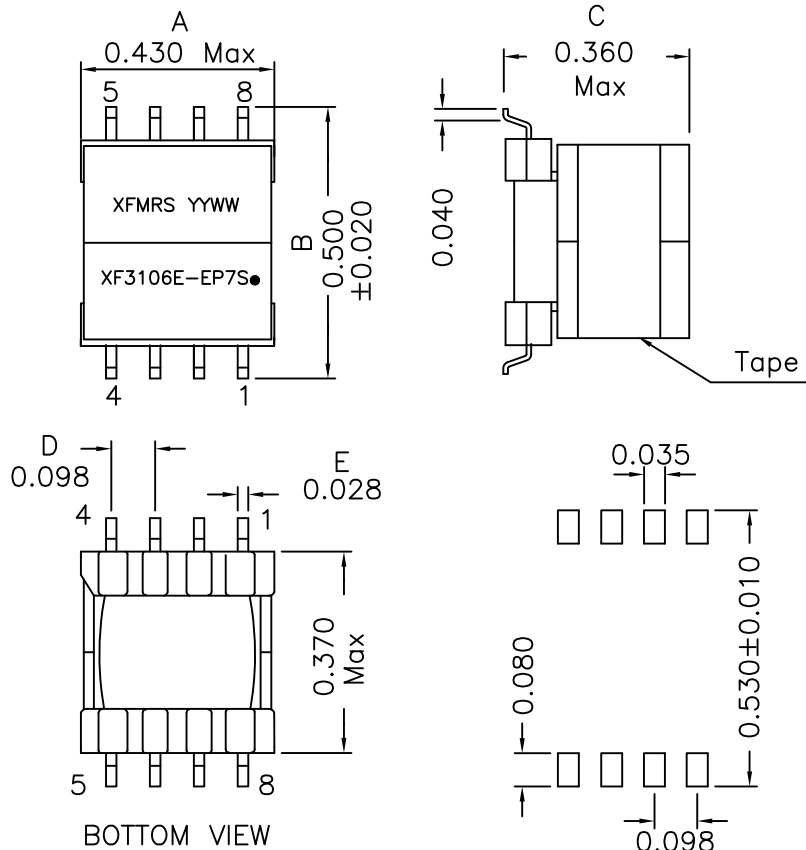


1. Mechanical Dimensions:

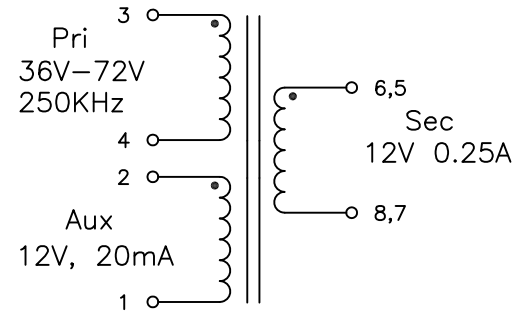


Notes:

1. Solderability: Leads shall meet MIL-STD-202G, Method 208H for solderability.
2. Flammability: UL94V-0
3. ASTM oxygen index: > 28%
4. Insulation System: Class F 155°C. UL file E151556
5. All listed parameters are to be within tolerance from -40°C to +85°C unless otherwise noted.
6. Storage Temperature Range: -55°C to +125°C
7. Aqueous wash compatible
8. SMD Lead Coplanarity: $\pm 0.004''$ (0.102mm)
9. Electrical and mechanical specifications 100% tested
10. RoHS Compliant Component
11. Recommended IR Reflow peak temp of 250°C Max.

DOC. REV: A/1

2. Schematic:



3. Electrical Specifications: @25°C

OCL: Pins 3-4 310uH \pm 10% @10KHz, 0.1V

Q: Pins 3-4 15 Min @100KHz, 0.1V

LL: Pins 3-4 6.5uH Max @100KHz, 0.1V Short P5+6+7+8

Cw/w: Pins 2-6 100pF Max @100KHz, 0.1V

(Short 1+2+3+4 ; 5+6+7+8)

DCR: Pins 3-4 1.04 Ohms Max

Pins 2-1 2.01 Ohms Max

Pins 6-8 0.700 Ohms Max

Pins 5-7 0.700 Ohms Max

Turns Ratio: (3-4):(2-1):(6-8):(5-7)

1.000:0.698:0.698:0.698 \pm 2%

Hipot: 1500Vac, 1+2+3+4 to 5+6+7+8.

SRF: Pins 3-4 750KHz Min

XFMR5 Inc www.XFMR5.com	Title: PoE Xfmr		
	UNLESS OTHERWISE SPECIFIED	P/N: XF3106E-EP7S	REV. A
TOLERANCES: .xxx \pm 0.010	DWN.	Xiang	Sep-20-16
Dimensions in INCH	CHK.	YK Liao	Sep-20-16
SHEET 1 OF 1	APP.	DDC	Sep-20-16