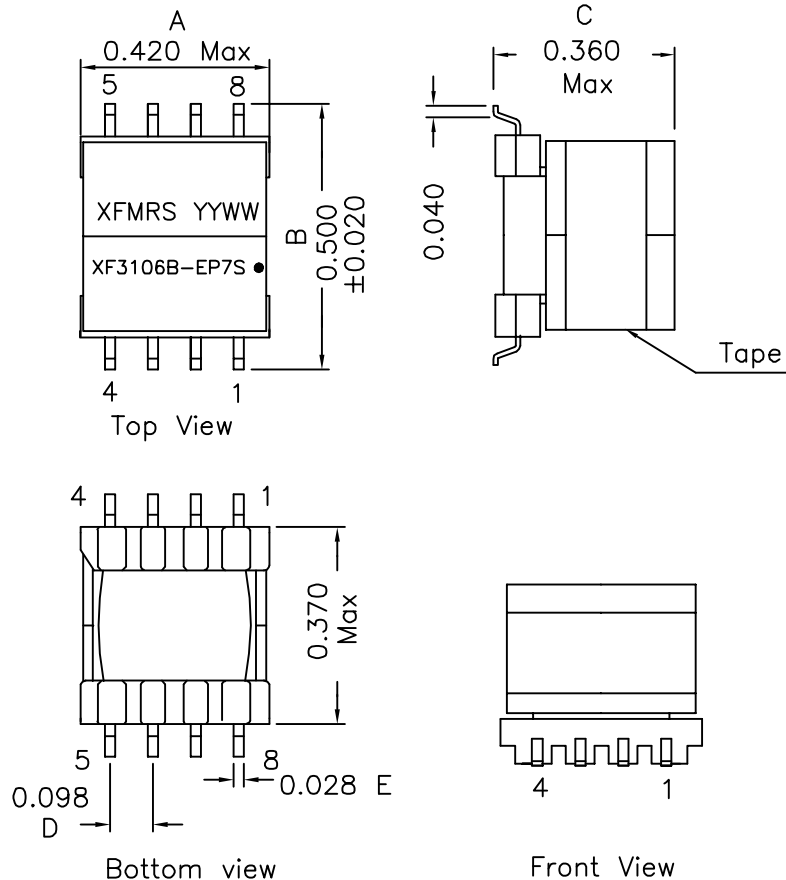
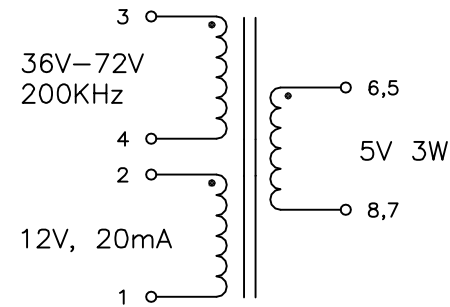


1. Mechanical Dimensions:



2. Schematic:



3. Electrical Specifications: @25C

OCL: Pins 3-4 310uH±10% @10KHz, 0.1V

Q: Pins 3-4 25 Min @100KHz, 0.1V

LL: Pins 3-4 6.0uH Max @100KHz, 0.1V Short P6,5,8,7

DCR: Pins 3-4 1.02 Ohms Max

Pins 2-1 2.01 Ohms Max

Pins 6,5-8,7 0.118 Ohms Max

Turns Ratio: (3-4):(2-1):(6,5-8,7)=1:0.697:0.279±2%

Isolation: 1500Vac, Pri. to Sec.

SRF: Pins 3-4 750KHz Min

Notes:

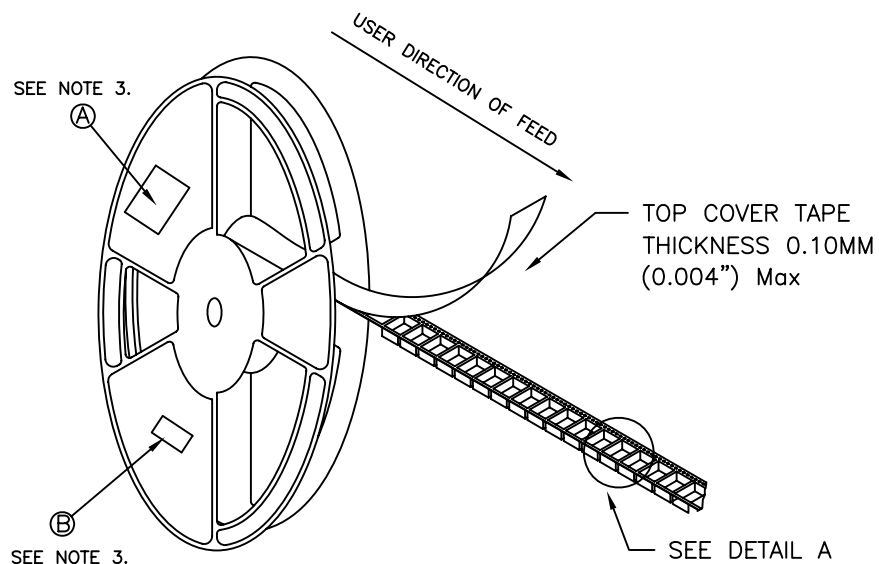
1. Solderability: Leads shall meet MIL-STD-202G, Method 208H for solderability.
2. Flammability: UL94V-0
3. ASTM oxygen index: > 28%
4. Insulation System: Class F 155°C. UL file E151556
5. Operating Temperature Range: -40C to +85C
6. Storage Temperature Range: -55°C to +125°C
7. Aqueous wash compatible
8. SMD Lead Coplanarity: 0.004"(0.102mm)
9. Electrical and mechanical specifications 100% tested
10. RoHS Compliant Component
11. Recommended IR Reflow peak temp of 250°C Max.

DOC. REV: A/5

XFMRS Inc www.XFMRS.com	Title: PoE Xfmr		
	UNLESS OTHERWISE SPECIFIED	P/N: XF3106B-EP7S	REV. A
TOLERANCES: .xxx ±0.010	DWN.	Huo	Jan-28-19
Dimensions in INCH	CHK.	YK Liao	Jan-28-19
SHEET 1 OF 1	APP.	Joe Huff	Jan-28-19

TAPE AND REEL SPECIFICATION:

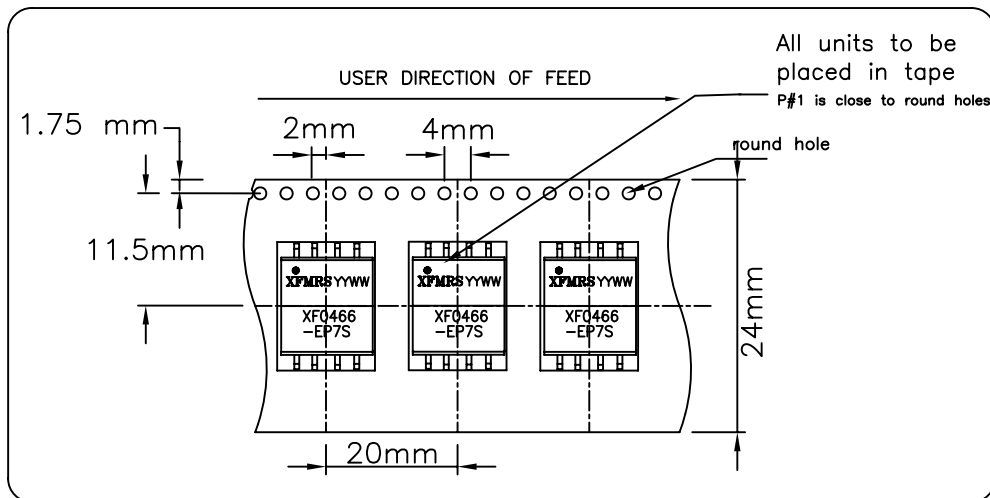
NOTES:



REEL AND TAPE ORIENTATION

13" REEL DIAMETER

DETAIL A



DOC REV:A/1

- 1) PROCESS IN ACCORDANCE WITH EIA-481-2 STANDARDS
 - * TAPE LEADER DIMENSION 15.30" MIN.
 - * TAPE TRAILER DIMENSION 6.30" MIN.
- 2) PARTS SHOULD BE PACKAGED IN ACCORDANCE WITH ESD GUIDELINES IN EIA-541.
- 3) REEL LABEL: 'A' * PART NUMBER
 - * QUANTITY
 - * DATE CODE
- 4) 300pcs PER 13"REEL

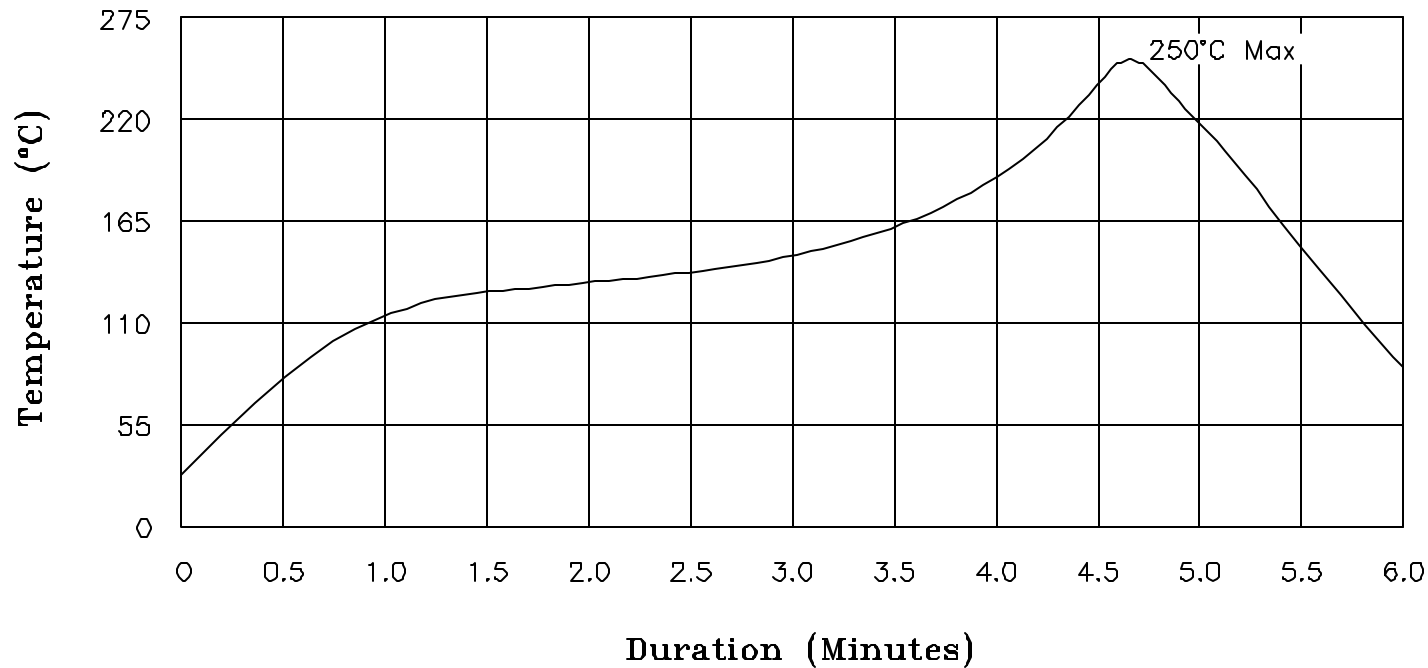
XFMRS Inc www.XFMRS.com	Title: T&R SPEC		
	UNLESS OTHERWISE SPECIFIED TOLERANCES: .xxs ±xxxxxx Dimensions in mm		P/N:XF0466-EP7S
SHT 2 OF 2	DWN.	RP CHEN	JAN-24-06
	CHK.	WENG	JAN-24-06
	APP.	MS	JAN-24-06

PROPRIETARY

Document is the property of XFMRS Group & is not allowed to be duplicated without authorization.

XFMRs

Recommended Infrared Reflow Temperature Profile for Select Parts



NOTES: Maximum duration at 250°+0/-5° shall be 10-15 seconds.
 Maximum duration above 217° shall be 50-120 seconds.
 ALL Temperatures refer to topside of the package, measured on the package body surface.

XFMRs Inc www.XFMRs.com	Title: IR REFLOW CHART (250°C)			
	UNLESS OTHERWISE SPECIFIED TOLERANCES: N/A		P/N: N/A	REV. A
	DWN.	Juan Mao	Dec-20-06	
	CHK.	YK Liao	Dec-20-06	
SHEET 1 OF 1	APP.	Joe Huff	Dec-20-06	