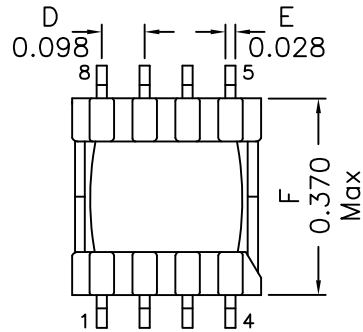
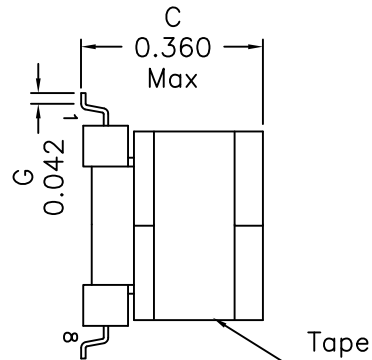
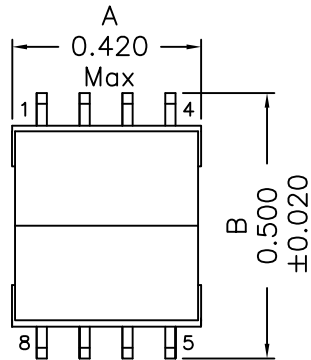
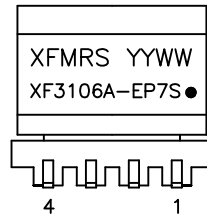


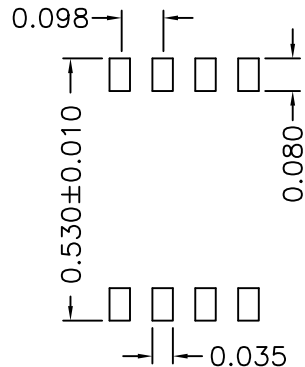
1. Mechanical Dimensions:



BOTTOM VIEW



Front View

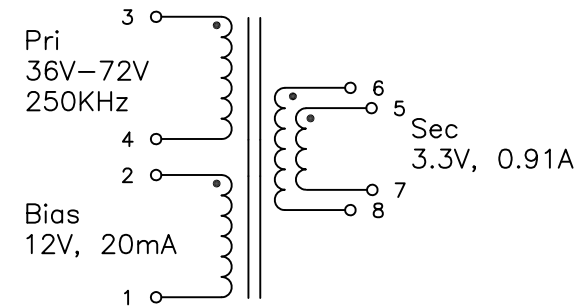


Suggested Pad Layout

Notes:

1. Solderability: Leads shall meet MIL-STD-202G, Method 208H for solderability.
2. Flammability: UL94V-0
3. ASTM oxygen index: > 28%
4. Insulation System: Class F 155°C. UL file E151556
5. All listed parameters are to be within tolerance from -40°C to +85°C unless otherwise noted.
6. Storage Temperature Range: -55°C to +125°C
7. Aqueous wash compatible
8. SMD Lead Coplanarity: ±0.004"(0.102mm)
9. Electrical and mechanical specifications 100% tested
10. RoHS Compliant Component
11. Recommended IR Reflow peak temp of 235°C Max.

2. Schematic:



*Secondary windings to be connected in parallel on PC board

3. Electrical Specifications: @25°C

OCL: Pins 3-4 310uH±10% @250KHz, 0.1V 0Adc

Pins 3-4 279uH Min @250KHz, 0.1V 0.3Adc

Q: Pins 3-4 20 Min @250KHz, 0.1V

LL: Pins 3-4 4.75uH Max @250KHz, 0.1V Short all else

DCR: Pins 3-4 1.02 Ohms Max

Pins 2-1 2.01 Ohms Max

Pins 6-8 0.066 Ohms Max

Pins 5-7 0.066 Ohms Max

Turns Ratio: (3-4):(6-8):(5-7):(2-1)

= 1.000:0.190:0.190:0.700±2%

Hipot: 1500Vac, Pri & Bias to Sec

XFMR5 Inc www.XFMR5.com	Title: TRANSFORMER		
	UNLESS OTHERWISE SPECIFIED TOLERANCES: .xxx ±0.010 Dimensions in Inch	P/N: XF3106A-EP7S	REV. A
SHEET 1 OF 1	DWN.	Yuan	Dec-22-14
	CHK.	YK Liao	Dec-22-14
	APP.	DDC	Dec-22-14

DOC. REV: A/4

PROPRIETARY

Document is the property of XFMR5 Group & is not allowed to be duplicated without authorization.