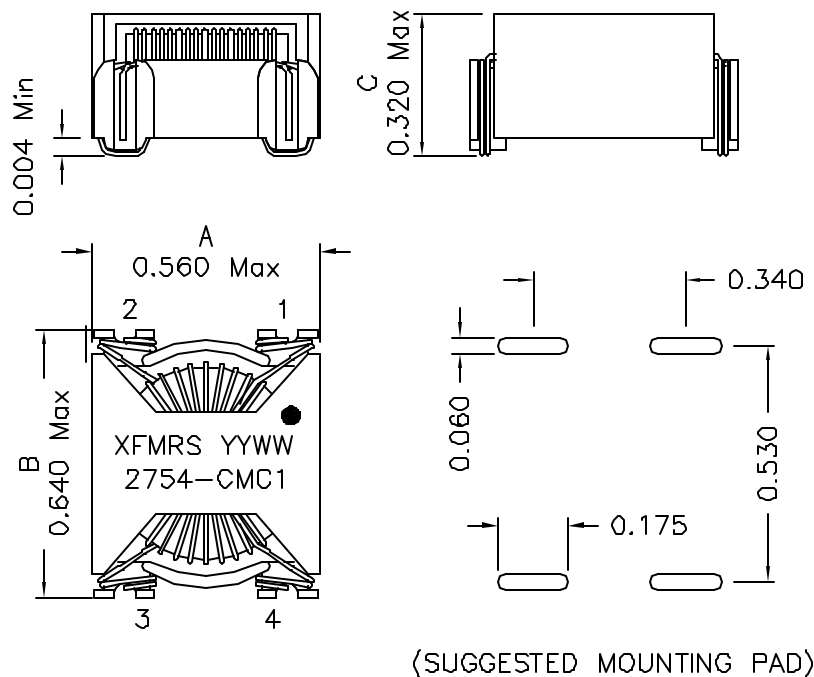
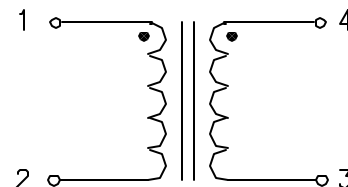


1. Mechanical Dimensions:



2. Schematic:



ADJUST TURNS TO MEET THE OCL

3. Electrical Specification:

OCL: P1-2 27.5mH±25% @10KHz 0.01V

DCR: 1.10 OHMS MAX

LL: P1-2 30 uH Min @100KHz 0.02V Shorted P3-4

HIPOT: 3000VAC 1 SEC Winding to Winding

Rated Current: 1.0Arms

Rated Voltage: 250Vac

Notes:

- Solderability: Leads shall meet MIL-STD-202G, Method 208H for solderability.
- Flammability: UL94V-0
- ASTM oxygen index: > 28%
- Insulation System: Class F 155°C. UL file E151556
- Operating Temperature Range: All listed parameters are to be within tolerance from -40°C to +85°C
- Storage Temperature Range: -55°C to +125°C
- Aqueous wash compatible
- SMD Lead Coplanarity: ±0.004*(0.102mm)
- Electrical and mechanical specifications 100% tested
- RoHS Compliant Component

DOC. REV A/4

XFMR5 Inc. www.XFMR5.com	Title: Common Mode Choke		
	P/N: XF2754-CMC1		REV. A
UNLESS OTHERWISE SPECIFIED TOLERANCES: .xxx ±0.010 INCH Dimensions in INCH	DWN.	Juan Mao	Dec-07-07
	CHK.	YK Liao	Dec-07-07
SHEET 1 OF 1	APP.	MS	Dec-07-07