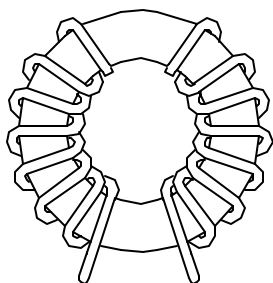
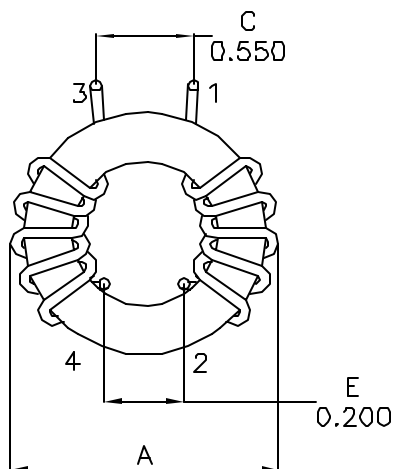
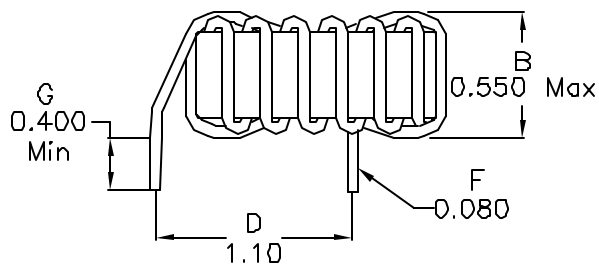


1. Mechanical:

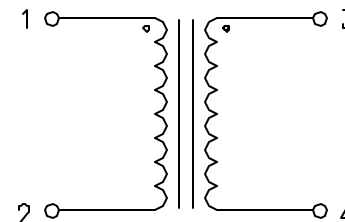


Top View



Bottom View

2. Schematic:



3. Electrical Specifications: @25°C

OCL: 260uH Min @1KHz, 1V (each wdg)

DC Res.: 0.0025 Ohms Max (each wdg)

Power Loss: 6.4 W Max @40A/Coil

Isolation: 250Vdc

Notes:

1. Solderability: Leads shall meet MIL-STD-202G, Method 208H for solderability.
2. Flammability: UL94V-0
3. ASTM oxygen index: > 28%
4. Insulation System: Class F 155°C. UL file E151556
5. Operating Temperature Range: All listed parameters are to be within tolerance from -40°C to +85°C
6. Storage Temperature Range: -55°C to +125°C
7. Aqueous wash compatible
8. Electrical and mechanical specifications 100% tested
9. RoHS Compliant Component

DOC. REV A/3

PROPRIETARY

Document is the property of XFMRs Group & is not allowed to be duplicated without authorization.

XFMRs Inc		Title: Common Mode Choke	
UNLESS OTHERWISE SPECIFIED TOLERANCES: .XXX±0.010 Dimensions in INCH	P/N: XF2606-HOCCMC		REV. A
	DWN.	Juan Mao	Feb-27-08
	CHK.	YK Liao	Feb-27-08
SHEET 1 OF 1	APP.	Joe Huff	Feb-27-08