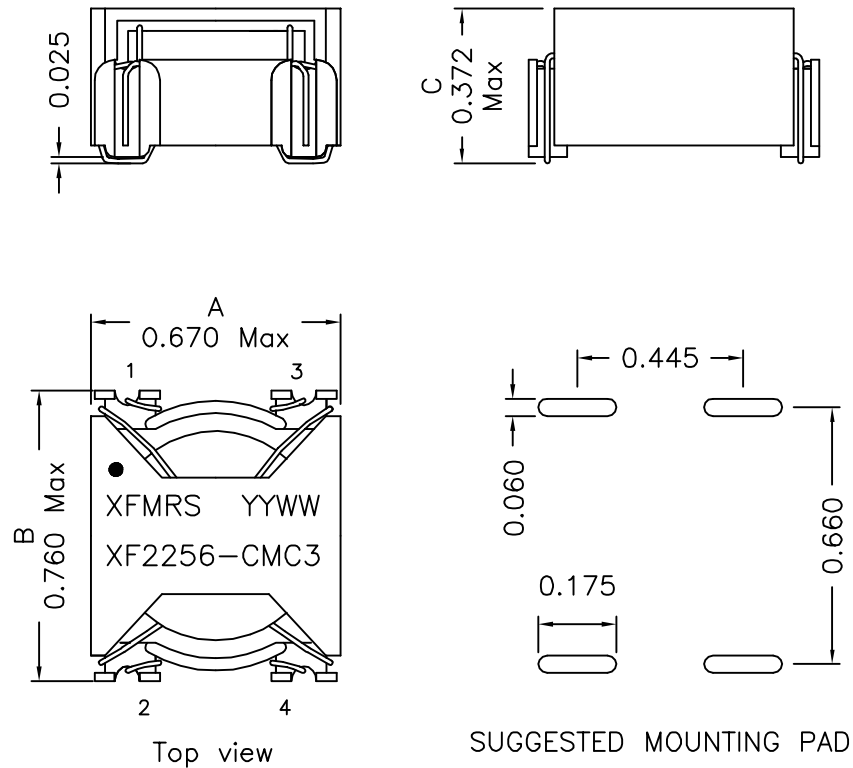
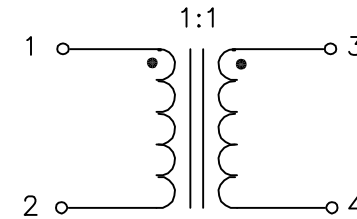


## 1. Mechanical Dimensions:



## 2. Schematic:



## 3. Electrical Specifications: @25°C

OCL: 225uH±35% @10KHz 1.0V

Q: 4 Min @10KHz 1.0V

DCR: 0.060 Ohms Max

Rated Current: 3.3A (Based on @55°C Temp Rise)

TURNS RATIO: Pins (1-2):(3-4)=1:1±5%

HIPOT: 1000Vac, Wdg to Wdg

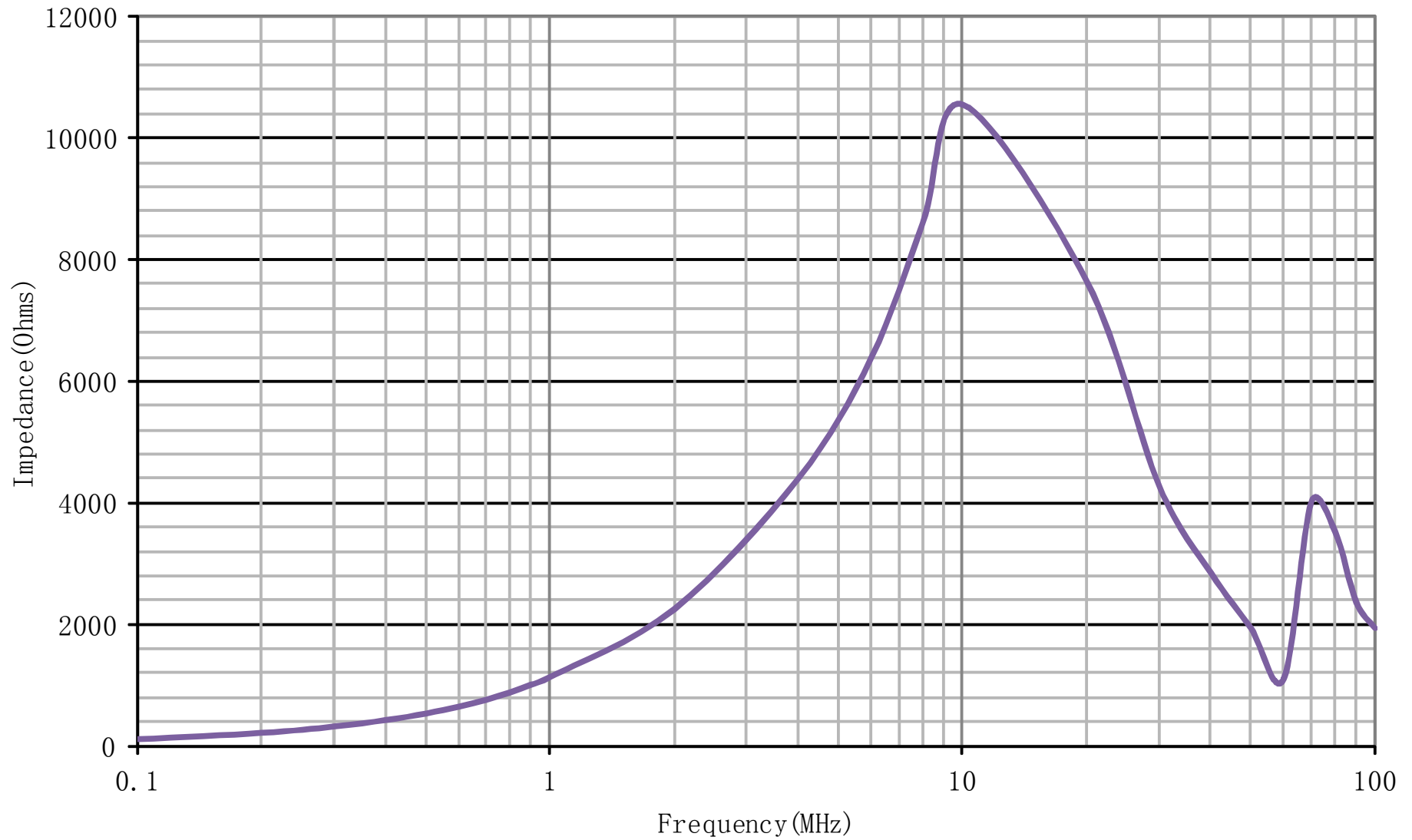
SRF: 3.50MHz Min

### Notes:

1. Solderability: Leads shall meet MIL-STD-202G, Method 208H for solderability.
2. Flammability: UL94V-0
3. ASTM oxygen index: > 28%
4. Insulation System: Class F 155°C. UL file E151556
5. Operating Temperature Range: -40°C to +85°C
6. Storage Temperature Range: -55°C to +125°C
7. Aqueous wash compatible
8. SMD Lead Coplanarity: ±0.004"(0.102mm)
9. Electrical and mechanical specifications 100% tested
10. RoHS Compliant Component
11. Recommended IR Reflow peak temp of 250°C Max.

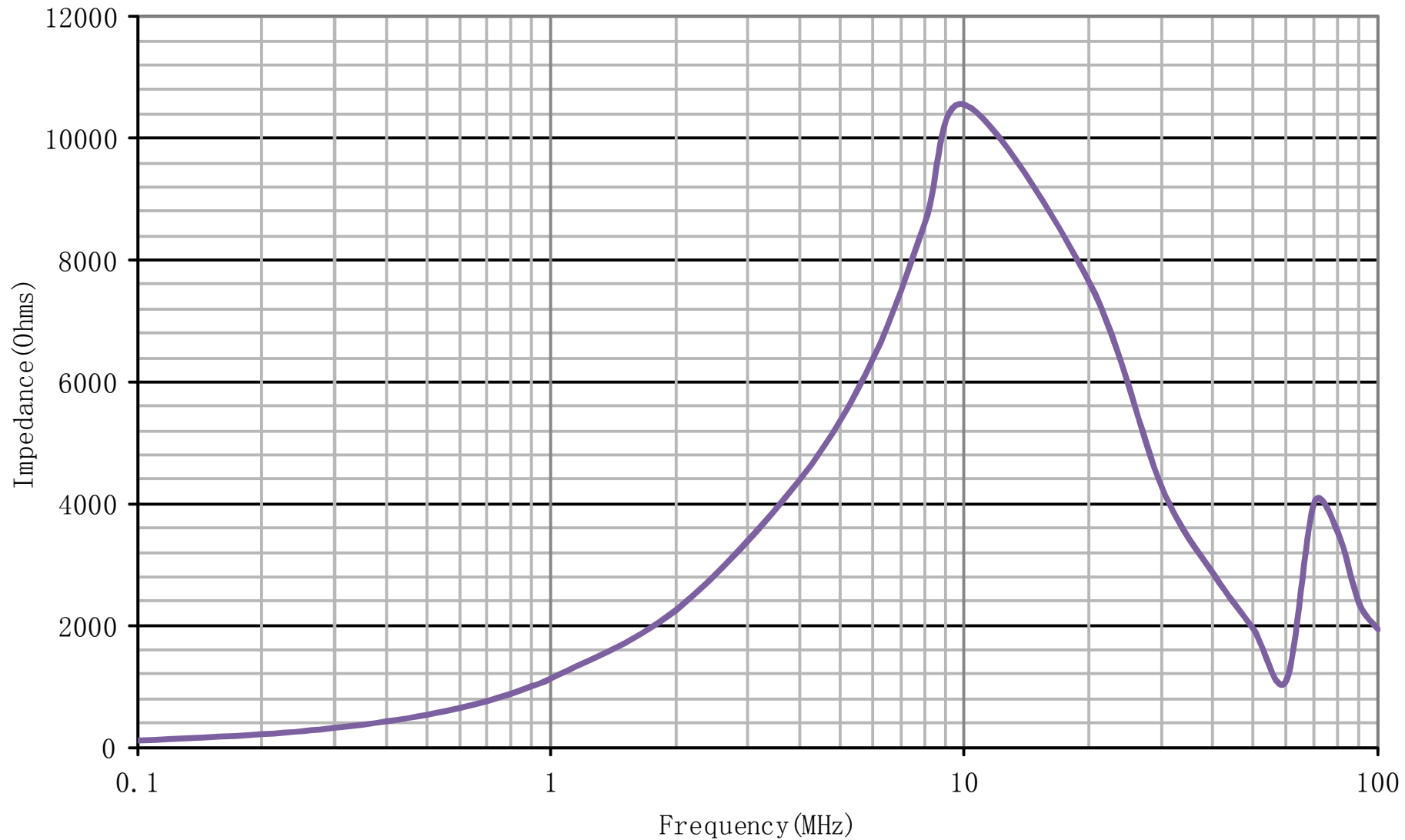
DOC. REV: C/1

<b>XFMRS</b> <a href="http://www.XFMRS.com">www.XFMRS.com</a>	Title: <b>Common Mode Choke</b>		
	UNLESS OTHERWISE SPECIFIED		P/N: XF2256-CMC3
TOLERANCES: .xxx ±0.010	DWN.	Yu	Sep-17-19
Dimensions in Inch	CHK.	YK Liao	Sep-17-19
SHEET 1 OF 2	APP.	Joe Huff	Sep-17-19



DOC. REV: C/1

<b>XFMRs</b> <sup>®</sup> <a href="http://www.XFMRs.com">www.XFMRs.com</a>	Title: <b>Common Mode Choke</b>			
	UNLESS OTHERWISE SPECIFIED TOLERANCES: .xxx ±0.010 Dimensions in Inch		P/N: XF2256-CMC3 DWN. Yu CHK. YK Liao APP. Joe Huff	REV. C Sep-17-19 Sep-17-19 Sep-17-19
SHEET 2 OF 2				



DOC. REV: C/1

<b>XFMRs</b> <sup>®</sup> <a href="http://www.XFMRs.com">www.XFMRs.com</a>		Title: <b>Common Mode Choke</b>	
UNLESS OTHERWISE SPECIFIED TOLERANCES: .xxx ±0.010 Dimensions in Inch		P/N: XF2256-CMC3	REV. C
		DWN.	Yu Sep-17-19
		CHK.	YK Liao Sep-17-19
SHEET 2 OF 2		APP.	Joe Huff Sep-17-19

**PROPRIETARY**

Document is the property of XFMRs Group & is not allowed to be duplicated without authorization.