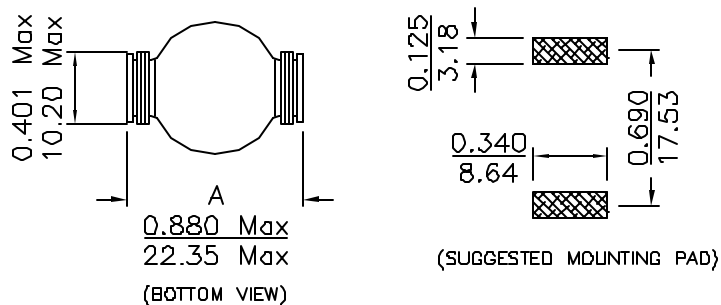
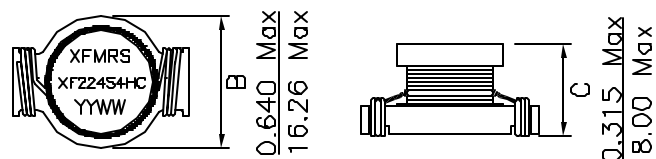


1. Mechanical Dimensions:



2. Schematic:



3. Electrical Specifications: @25°C

OCL: $221.4\mu\text{H} \pm 20\%$ @100KHz 0.25V

Q: 21 Typ @100KHz

Irms: 1.4A (40°C TEMP RISE)

Isat: 2.4Adc (Based on 10% Drop in OCL)

DCR: 0.3571 Ohms Max

Notes:

1. Solderability: Leads shall meet MIL-STD-202G, Method 208H for solderability.
2. Flammability: UL94V-0
3. ASTM oxygen Index: > 28%
4. Insulation System: Class F 155°C. UL file E151556
5. Operating Temperature Range: All listed parameters are to be within tolerance from -40°C to +85°C
6. Storage Temperature Range: -55°C to +125°C
7. Aqueous wash compatible
8. SMD Lead Coplanarity: $\pm 0.004^\circ$ (0.102mm)
9. Electrical and mechanical specifications 100% tested
10. RoHS Compliant Component

DOC. REV. A/1

PROPRIETARY Document is the property of XFMRs Group & is not allowed to be duplicated without authorization.

XFMRs Inc. www.XFMRs.com		Title: XFMSMD4HC SERIES INDUCTORS	
UNLESS OTHERWISE SPECIFIED TOLERANCES: .xxx ± 0.010 INCH Dimensions in INCH/MM	P/N: XF224S4HC		REV. A
	DWN.	Juan Mao	Dec-01-05
	CHK.	YK Liao	Dec-01-05
SHEET 1 OF 1	APP.	Joe Huff	Dec-01-05