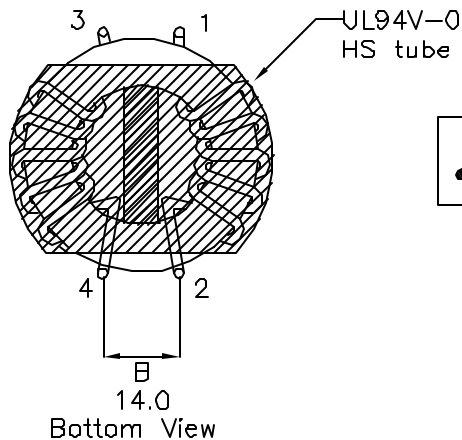
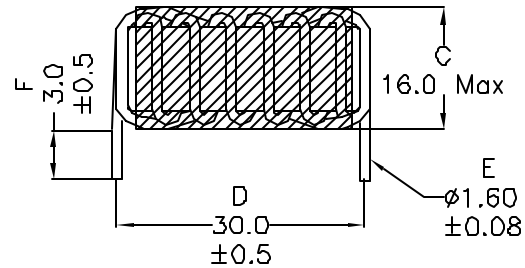
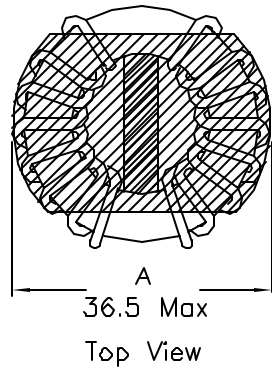


1. Mechanical Dimensions:



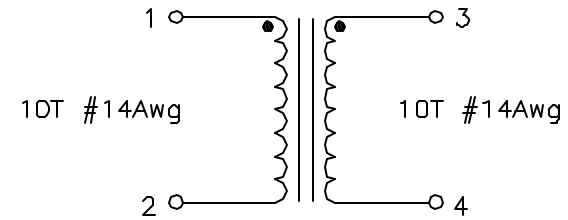
XFMRs YYWW
●XF2156-HOCMC
Marking
(on side)

Notes:

- Solderability: Leads shall meet MIL-STD-202G, Method 208H for solderability.
- Flammability: UL94V-0
- ASTM oxygen index: > 28%
- Insulation System: Class F 155°C, UL file E151558
- Operating Temperature Range: All listed parameters are to be within tolerance from -40°C to +85°C
- Storage Temperature Range: -55°C to +125°C
- Aqueous wash compatible
- Electrical and mechanical specifications 100% tested
- RoHS Compliant Component

DOC. REV A/-

2. Schematic:



Toroid: Acme P4 T31x19x13C or
Ferroxcube TN32/19/13-3C90

3. Electrical Specifications: @25°C

OCL: 215uH Min @10KHz, 0.1V, each wdg

Q: TBD Min @10KHz, 0.1V, each wdg

DC Res.: 0.005 Ohms Max, each wdg

Turns Ratio: (1-2):(3-4)=1:1±2%

Rated Current: tbdArms

PROPRIETARY Document is the property of XFMRs Group & is not allowed to be duplicated without authorization.

XFMRs Inc www.XFMRs.com	Title: Common Mode Choke		
UNLESS OTHERWISE SPECIFIED TOLERANCES: .xx ±0.25 Dimensions in MM	P/N: XF2156-HOCMC	REV. A	
	DWN.	Feng	Dec-22-10
SHEET 1 OF 1	CHK.	YK Liao	Dec-22-10
	APP.	Joe Huff	Dec-22-10