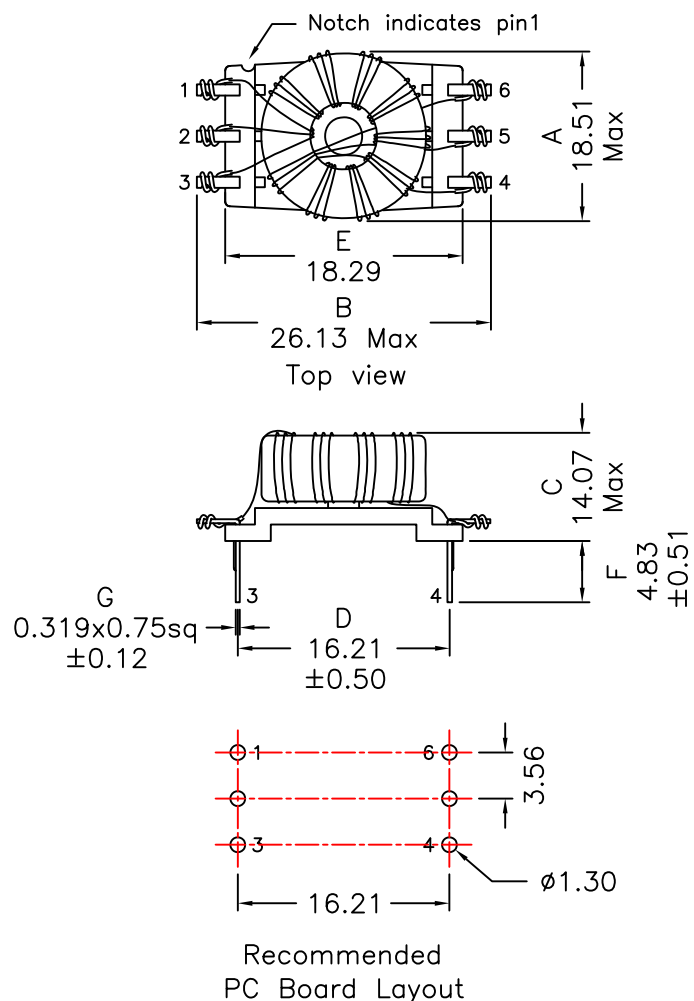


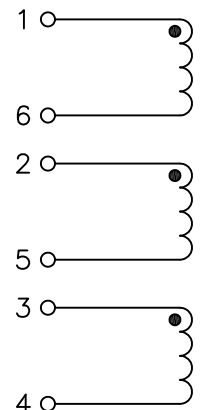
1. Mechanical Dimensions:



Notes:

1. Solderability: Leads shall meet MIL-STD-202G, Method 208H for solderability.
2. Flammability: UL94V-0
3. ASTM oxygen index: > 28%
4. Insulation System: Class F 155°C. UL file E151556
5. All listed parameters are to be within tolerance from -40°C to +85°C unless otherwise noted.
6. Storage Temperature Range: -40°C to +85°C
7. Aqueous wash compatible
8. Electrical and mechanical specifications 100% tested
9. RoHS Compliant Component

2. Schematic:



3. Electrical Specifications: @25°C

OCL: Pins 1-6 210uH Min @15.75KHz, 0.015V

Q: Pins 1-6 tbd Min @15.75KHz, 0.015V

LL: Pins 1-6 tbduH Max @100KHz, 0.1V Short all else

DCR: Pins 1-6 0.090 Ohms Max

Pins 2-5 0.090 Ohms Max

Pins 3-4 0.090 Ohms Max

Turns Ratio: (1-6):(2-5):(3-4)=1:1:1±2%

Hipot: 500Vac, Wdgs to Wdgs

PRELIMINARY

DOC. REV: A/-

XFMRs Inc www.XFMRs.com	Title: Toroidal Transformer		
	UNLESS OTHERWISE SPECIFIED TOLERANCES: .xx ±0.25 Dimensions in MM	P/N: XF2106-1605	REV. A
SHEET 1 OF 1	DWN.	Yuan	Nov-20-14
	CHK.	YK Liao	Nov-20-14
	APP.	DDC	Nov-20-14

PROPRIETARY

Document is the property of XFMRs Group & is not allowed to be duplicated without authorization.