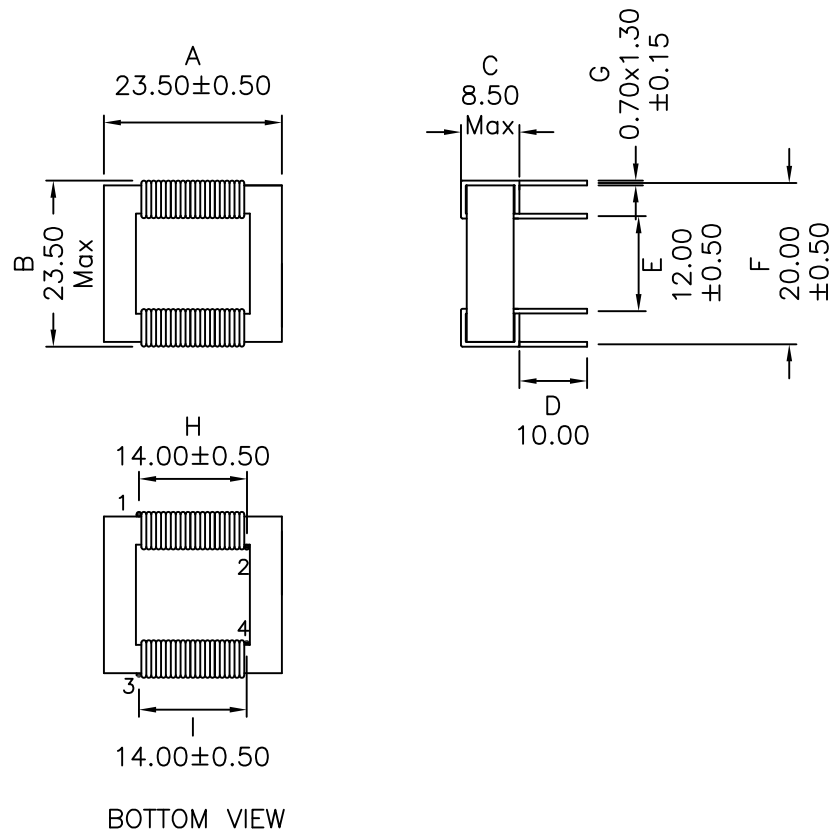
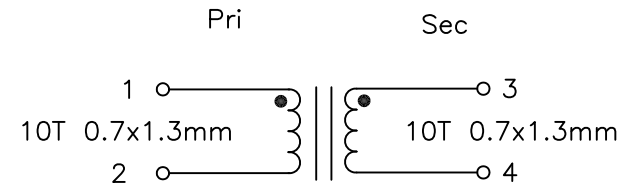


1. Mechanical Dimensions:



2. Schematic:



3. Electrical Specifications: @25°C

OCL: 202.5uH Min @100KHz 0.1Vrms Each Wdg

80uH Min @100KHz 0.1Vrms Each Wdg 0°C to -40°C

LL: Pins 1-2 10uH Max @100KHz 0.1Vrms Tie Pins 3+4

Q: 10 Min @100KHz 0.1Vrms

DCR: 0.007 Ohms Max Each Wdg

Turns Ratio: (1-2):(3-4)=1:1±2%

SRF: 1.0MHz Min

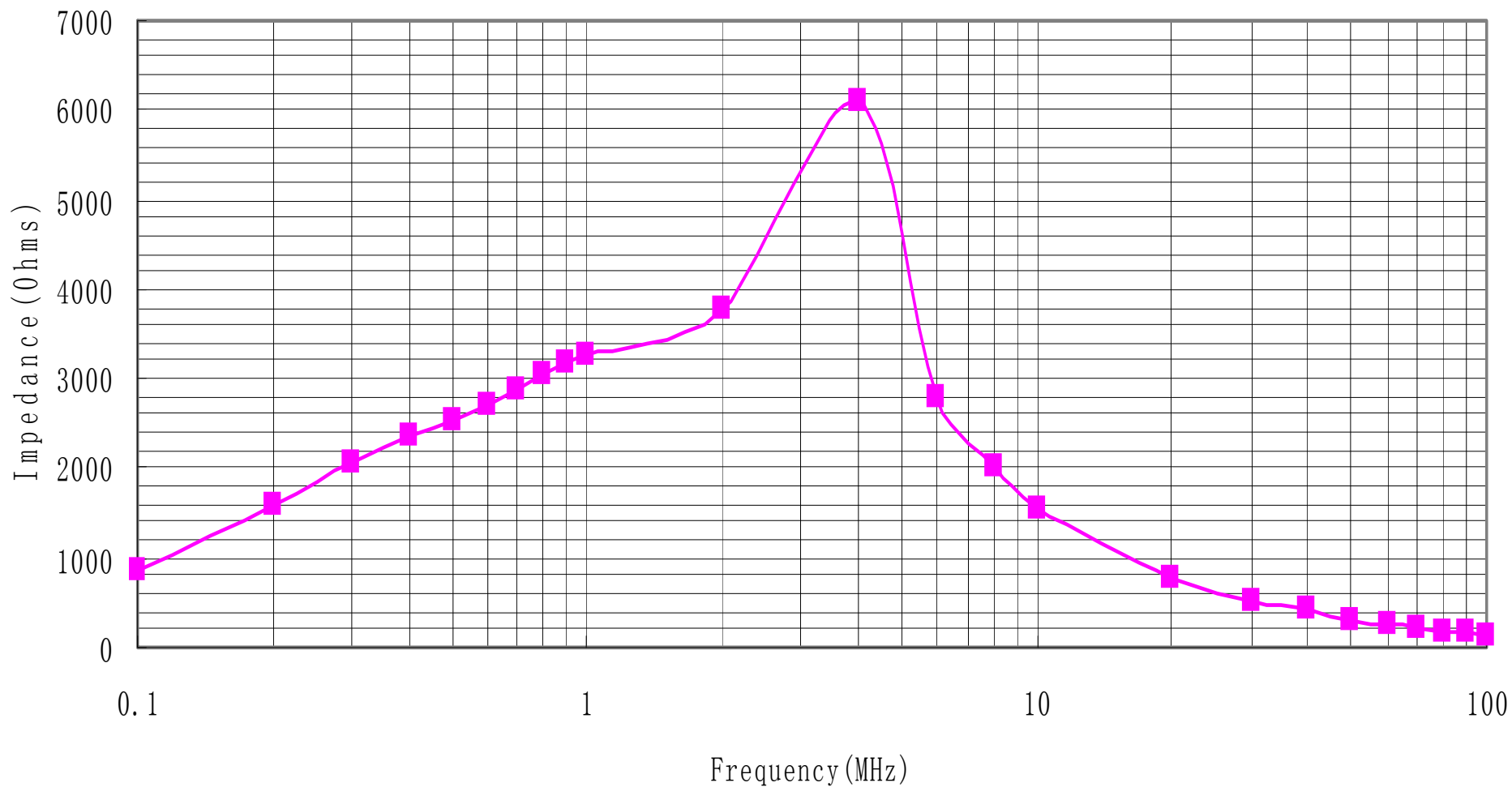
Hipot: 600Vrms Pri to Sec

Notes:

1. Solderability: Leads shall meet MIL-STD-202G, Method 208H for solderability.
2. Flammability: UL94V-0
3. ASTM oxygen index: > 28%
4. Insulation System: Class F 155°C. UL file E151556
5. All listed parameters are to be within tolerance from -40°C to +85°C unless otherwise noted.
6. Storage Temperature Range: -55°C to +125°C
7. Aqueous wash compatible
8. Electrical and mechanical specifications 100% tested
9. RoHS Compliant Component

DOC. REV A/2

XFMRs Inc www.XFMRS.com	Title: Common Mode Choke		
	UNLESS OTHERWISE SPECIFIED	P/N: XF2026-HOCMC	REV. A
TOLERANCES: .xx ±0.25	DWN.	Yuan	Mar-10-15
Dimensions in MM	CHK.	YK Liao	Mar-10-15
SHT 1 OF 2	APP.	BW	Mar-10-15



DOC. REV A/2

XFMRs Inc www.XFMRS.com	Title: Common Mode Choke				
	UNLESS OTHERWISE SPECIFIED		P/N: XF2026-HOCMC	REV. A	
TOLERANCES:	.xx ±0.25		DWN.	Yuan	Mar-10-15
Dimensions in MM			CHK.	YK Liao	Mar-10-15
SHT 2 OF 2			APP.	BW	Mar-10-15

PROPRIETARY

Document is the property of XFMRs Group & is not allowed to be duplicated without authorization.