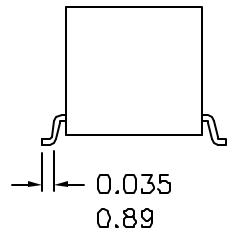
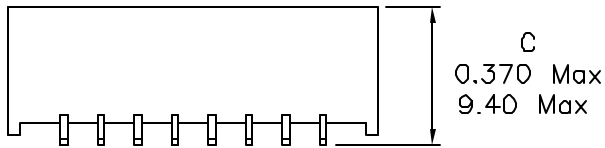
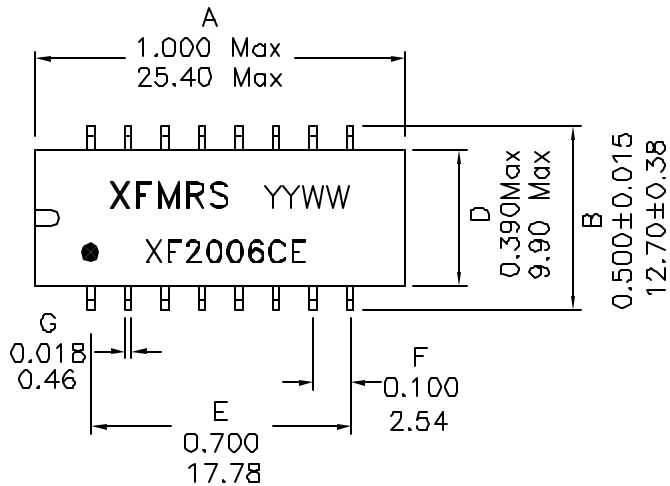
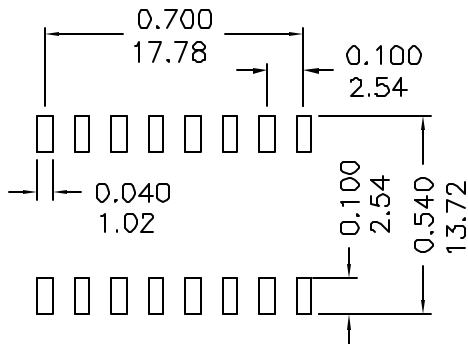


1. Dimensions:



CO-PLANARITY ± 0.004 Max
0.10 Max



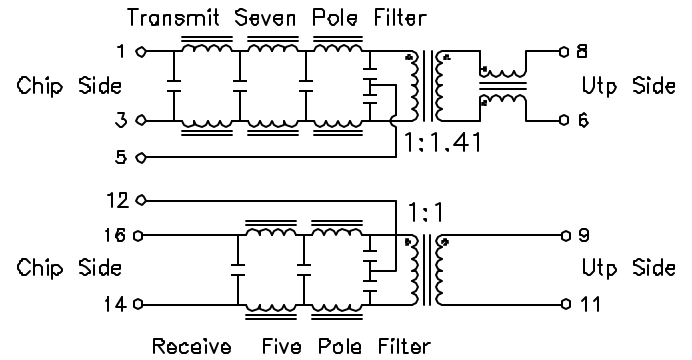
SUGGESTED FOOTPRINT

Notes:

1. Solderability: Leads shall meet MIL-STD-202G, Method 208H for solderability.
2. Flammability: UL94V-0
3. ASTM oxygen index: > 28%
4. Insulation System: Class F 155°C. UL file E151556
5. Operating Temperature Range: All listed parameters are to be within tolerance from -40°C to +85°C
6. Storage Temperature Range: -55°C to +125°C
7. Aqueous wash compatible
8. SMD Lead Coplanarity: ±0.004*(0.102mm)
9. Electrical and mechanical specifications 100% tested
10. RoHS 5/6 Compliant, 63/37 leaded solder dipping on FG pins
11. Recommended IR Reflow temp 225C Max.

DOC REV: A/13

2. Schematic:



3. Electrical Specifications: @25°C

- Turns ratio: TX: 1:1.41±3% RX: 1:1±3%
- Isolation Voltage: 1500VAC (INPUT/OUTPUT)
- Insertion Loss (1MHz-10MHz): 1.DdB Maximum
- Return Loss (5MHz-10MHz): 17dB Typ, 15dB Min. 98±13 Ohms
For reference only
17dB Typ, 15dB Min. 100 Ohms
- Attenuation (TX): -30dB Minimum @30 MHz
-27dB Min @40MHz, -27dB Min @100MHz
- Crosstalk: -35dB Min @5-10MHz
- Common mode rejection (TX):
5MHz, 10MHz, 50MHz, 100MHz
-40 -45 -35 -30dB Typ
- TRANSMIT IMPEDANCE: 50:100 OHMS
- RECEIVE IMPEDANCE: 100:100 OHMS
- PACKING: TAPE AND REEL, 250 UNITS PER REEL

| | | | |
|---|--|---------------|-----------|
| XFMRS Inc. www.XFMRS.com | Title: 10 BASE-T FILTER | | |
| | UNLESS OTHERWISE SPECIFIED TOLERANCES: .xxx ±0.010 Inch Dimensions in Inch/mm | P/N: XF2006CE | REV. A |
| SHEET 1 OF 1 | APP. | Joe Huff | Apr-23-10 |