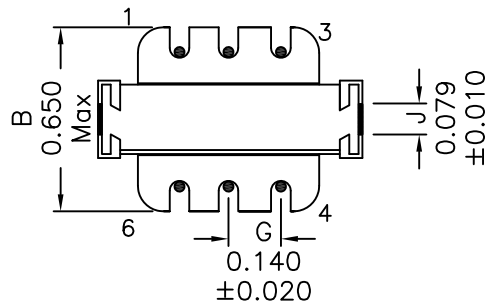
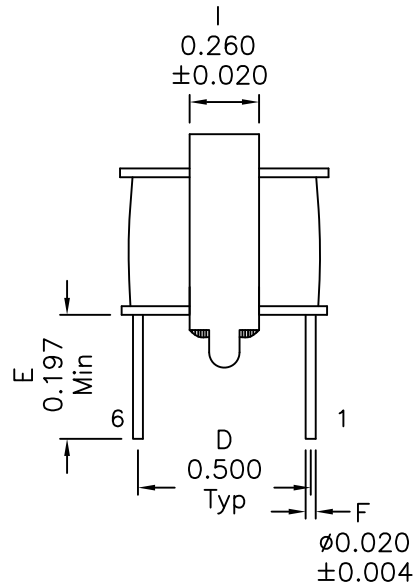
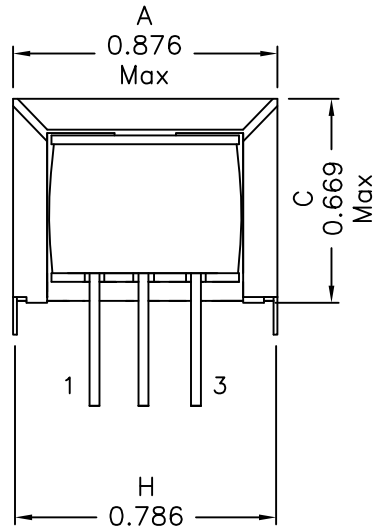
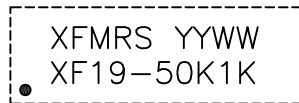


1. Mechanical Dimensions:

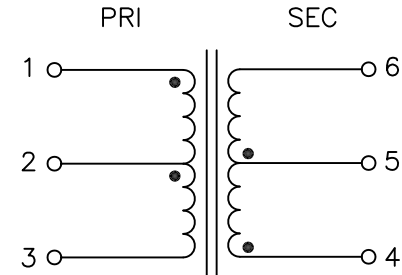


(BOTTOM VIEW)

Marking: (on Top)



2. Schematic:



3. Electrical Specifications: @25°C

PRI Z: 50K Ohms ±10% CT @1KHz 0.25V
 SEC Z: 1K Ohms ±10% @1KHz 0.25V
 Frequency Response: ±3dB, 300-3.4KHz @1KHz 0dB
 DCR: Pins 1-3 700 Ohms ±15%
 DCR: Pins 4-6 150 Ohms ±15%
 Hipot: 100Vac for 1 min, 250Vac 2 sec

Notes:

- Solderability: Leads shall meet MIL-STD-202, Method 208D for solderability.
- Flammability: UL94V-0
- ASTM oxygen index: > 28%
- Insulation System: Class F 155°C. UL file E151556
- Operating Temperature Range: All listed parameters are to be within tolerance from -40°C to +85°C
- Storage Temperature Range: -55°C to +125°C
- Aqueous wash compatible
- Electrical and mechanical specifications 100% tested
- RoHS Compliant Component

DOC REV: A/1

PROPRIETARY Document is the property of XFMRS Group & is not allowed to be duplicated without authorization.

XFMRS, Inc www.XFMRS.com		Title: 200mW Audio Xfmr	
UNLESS OTHERWISE SPECIFIED		P/N: XF19-50K1K	REV. A
TOLERANCES: .xxx ±0.020		DWN.	Juan Mao May-26-06
Dimensions in Inch		CHK.	YK Liao May-26-06
SHT 1 OF 1		APP.	Joe Huff May-26-06