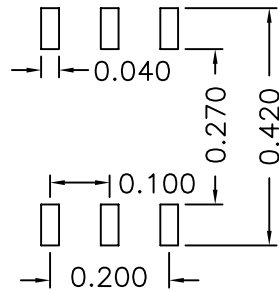
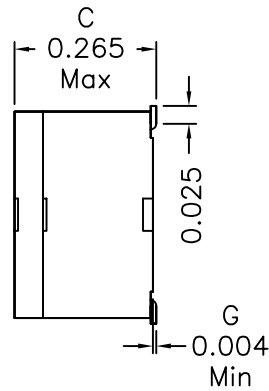
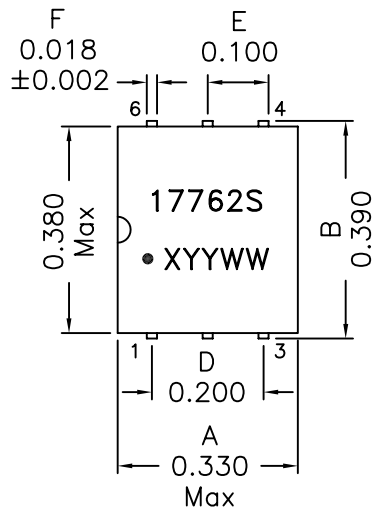


1. Mechanical Dimensions:

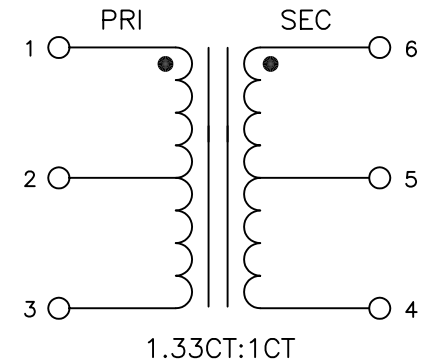


SUGGESTED PCB LAYOUT

Notes:

1. Solderability: Leads shall meet MIL-STD-202G, Method 208H for solderability.
2. Flammability: UL94V-0
3. ASTM oxygen index: > 28%
4. Insulation System: Class F 155°C. UL file E151556
5. Operating Temperature Range: All listed parameters are to be within tolerance from -40°C to +85°C
6. Storage Temperature Range: -55°C to +125°C
7. Aqueous wash compatible
8. SMD Lead Coplanarity: ±0.004"(0.102mm)
9. Electrical and mechanical specifications 100% tested
10. RoHS Compliant Component

2. Schematic:



3. Electrical Specifications: @25°C

- OCL: Pins 1-3 177uH Min @100KHz 0.1V
 PRI LL: 0.5uH Max @100KHz 0.1V, Short SEC
 CW/W: Pins 1-6 15pF Max @100KHz 0.1V
 DCR: Pins 1-3 0.600 Ohms Max
 DCR: Pins 6-4 0.400 Ohms Max
 INSERTION LOSS: -0.5dB Max @1-30MHz
 RETURN LOSS: -15dB Min @1-30MHz
 TURNS RATIO: Pins (1-3):(6-4)=1.33CT:1CT±3%
 HIPOT: 1500Vac, Wdg to Wdg
 Q: 5 Min @10KHz 50mV

DOC. REV: B/1

XFMRs Inc. www.XFMRs.com	Title: Isolation Transformer		
	UNLESS OTHERWISE SPECIFIED TOLERANCES: .xxx ±0.010 Dimensions in INCH	P/N: XF1776-2S	REV. B
SHEET 1 OF 1	DWN.	Feng	Nov-11-11
	CHK.	YK Liao	Nov-11-11
	APP.	BW	Nov-11-11