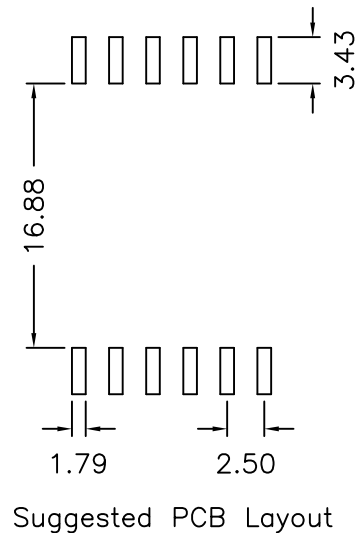
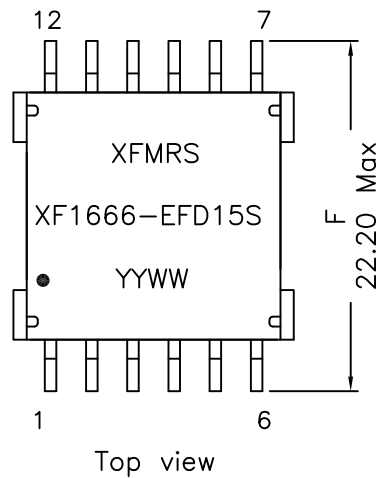
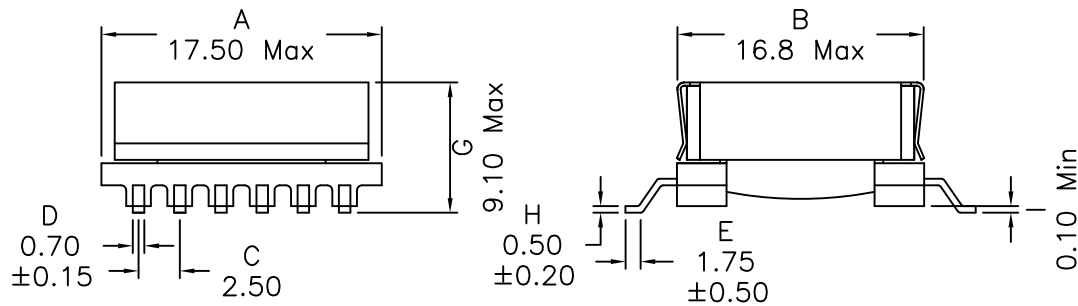


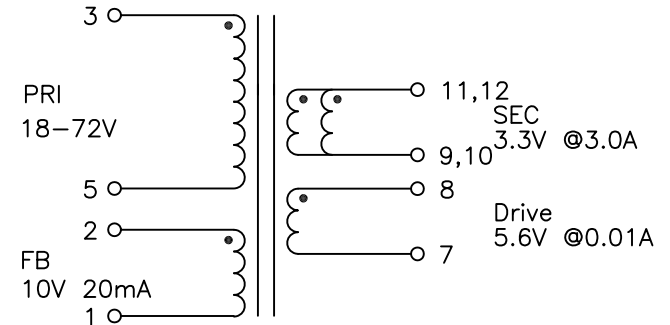
## 1. Mechanical Dimensions:



### Notes:

1. Solderability: Leads shall meet MIL-STD-202G, Method 208H for solderability.
2. Flammability: UL94V-0
3. ASTM oxygen index: > 28%
4. Insulation System: Class F 155°C. UL file E151556
5. All listed parameters are to be within tolerance from -40°C to +85°C unless otherwise noted.
6. Storage Temperature Range: -55°C to +125°C
7. Aqueous wash compatible
8. SMD Lead Coplanarity: ±0.004"(0.102mm)
9. Electrical and mechanical specifications 100% tested
10. RoHS Compliant Component
11. Recommended IR Reflow peak temp of 235°C Max.

## 2. Schematic:



## 3. Electrical Specifications: @25°C

- OCL: Pins 3-5 166.5uH±10% @100KHz, 0.10V  
 Pins 3-5 145uH Min @100KHz, 0.10V, 1.20Adc
- LL: Pins 3-5 3.5uH Max @100KHz, 0.10V Short all else
- Q: Pins 3-5 15 Min @100KHz, 0.10V
- DCR: Pins 3-5 0.830 Ohms Max  
 Pins 12-10 0.037 Ohms Max  
 Pins 11-9 0.037 Ohms Max  
 Pins 8-7 0.560 Ohms Max  
 Pins 2-1 1.12 Ohms Max
- Turns Ratio: (3-5):(11,12-9,10)=6.5:1±2%  
 (3-5):(8-7)=3.71:1±2%  
 (3-5):(2-1)=2.0:1±2%
- Hipot: 1500Vac, PRI &FB to SEC &Drive  
 300Vac, PRI to FB, All Wdgs to Core
- SRF: Pins 3-5 600KHz Min

DOC. REV: A/3

<b>XFMRs Inc</b> www.XFMRs.com	Title: TRANSFORMER		
UNLESS OTHERWISE SPECIFIED TOLERANCES: .xx ±0.25 Dimensions in MM	P/N: XF1666-EFD15S	REV. A	
	DWN.	Xiang	May-04-16
SHEET 1 OF 1	CHK.	YK Liao	May-04-16
	APP.	GL	May-04-16