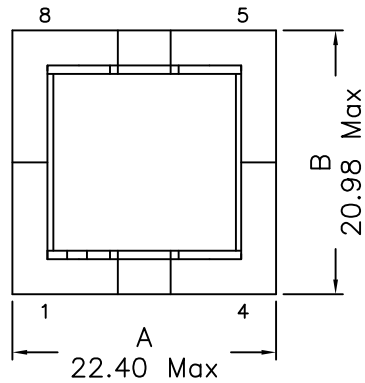
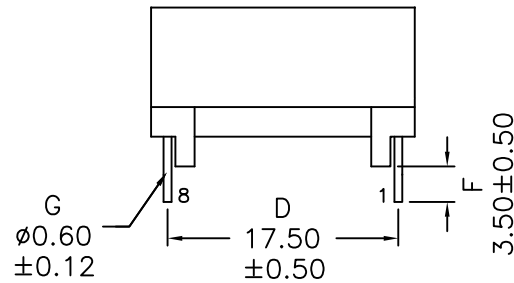
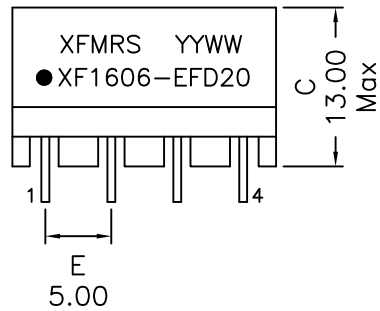
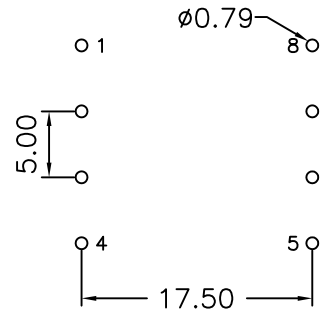


1. Mechanical Dimensions:

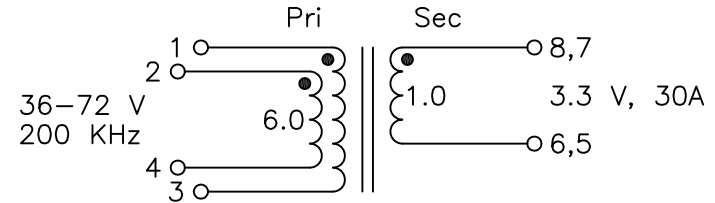


Top view



Suggested pad Layout

2. Schematic:



3. Electrical Specifications: @25°C

OCL: Pins 1,2-3,4 160.2uH±33% @10KHz, 0.1V

Q: Pins 1,2-3,4 tbd Min @10KHz, 0.1V

LL: Pins 1,2-3,4 1.5uH Max @100KHz, 0.1V Short Sec

Cw/w: Pins 1-8,7 tbdpF Max @100KHz, 0.1V Short Pri; Sec

DCR: Pins 1-3 60 mOhms Max

Pins 2-4 72 mOhms Max

Pins 8,7-6,5 2.5 mOhms Max

Turns Ratio: (1-3):(2-4):(8-6):(7-5)

= 1.000:1.000:0.167:0.167±2%

Hipot: 1800Vdc, Pri to Sec

Notes:

- Solderability: Leads shall meet MIL-STD-202G, Method 208H for solderability.
- Flammability: UL94V-0
- ASTM oxygen index: > 28%
- Insulation System: Class F 155°C. UL file E151556
- All listed parameters are to be within tolerance from -40°C to +130°C unless otherwise noted.
- Storage Temperature Range: -55°C to +125°C
- Aqueous wash compatible
- Electrical and mechanical specifications 100% tested
- RoHS Compliant Component

PRELIMINARY

DOC. REV: A/-

XFMRS Inc www.XFMRS.com	Title: TRANSFORMER		
	UNLESS OTHERWISE SPECIFIED TOLERANCES: .xx ±0.25 Dimensions in MM	P/N: XF1606-EFD20	REV. A
SHEET 1 OF 1	DWN.	Yuan	Nov-20-14
	CHK.	YK Liao	Nov-20-14
	APP.	DDC	Nov-20-14

PROPRIETARY

Document is the property of XFMRS Group & is not allowed to be duplicated without authorization.