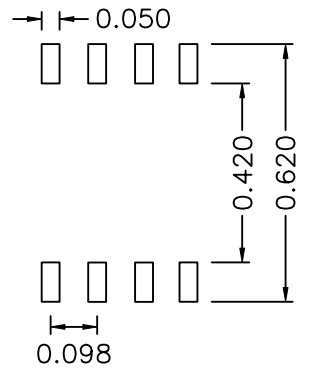
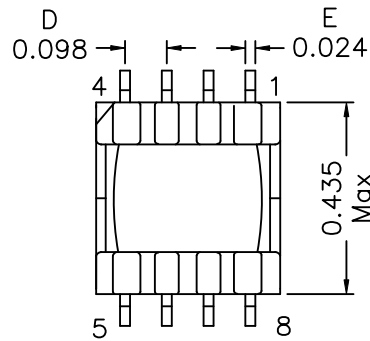
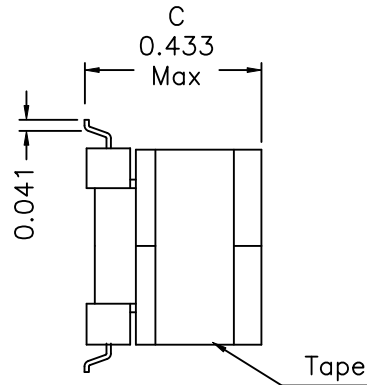
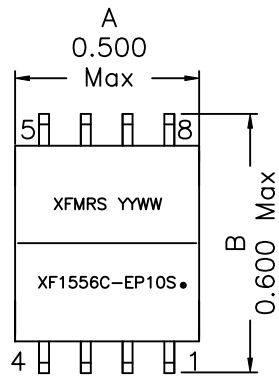


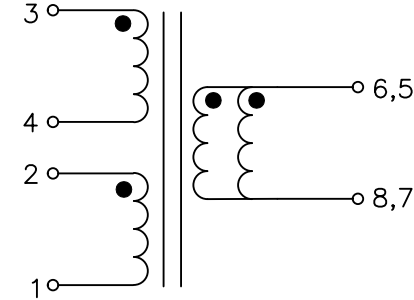
1. Mechanical Dimensions:



Notes:

1. Solderability: Leads shall meet MIL-STD-202G, Method 208H for solderability.
2. Flammability: UL94V-0
3. ASTM oxygen index: > 28%
4. Insulation System: Class F 155°C. UL file E151556
5. Operating Temperature Range: -40°C to +85°C
6. Storage Temperature Range: -55°C to +125°C
7. Aqueous wash compatible
8. SMD Lead Coplanarity: $\pm 0.004^{\circ}$ (0.102mm)
9. Electrical and mechanical specifications 100% tested
10. RoHS Compliant Component
11. Recommended IR Reflow peak temp of 250°C Max.

2. Schematic:



3. Electrical Specifications: @25°C

OCL: Pins 3-4 155uH \pm 10% @10KHz 0.1V 0Adc
 Pins 3-4 139.5uH Min @10KHz 0.1V 0.65Adc
 Q: Pins 3-4 40 Min @100KHz 0.1V
 LL: Pins 3-4 3.6uH Max @100KHz 0.1V (Short all else)
 Cw/w: Pins 3-6 150pF Max @100KHz 0.1V (Short 4+2,6+5,7+8)
 DCR: Pins 3-4 0.414 Ohms Max
 Pins 2-1 0.822 Ohms Max
 Pins 6-8 & 5-7 0.060 Ohms Max Each
 Turns Ratio: (3-4):(6,5-8,7):(2-1)=1:0.262:0.667 \pm 5%
 Hipot: 1500Vac, PRI to SEC
 SRF: Pins 3-4 900KHz Min

DOC REV: A/4

XFMRs® www.XFMRs.com		Title: 5.0V 7W POE TRANSFORMER	
UNLESS OTHERWISE SPECIFIED TOLERANCES: .xxx \pm 0.010 Dimensions in INCH	P/N: XF1556C-EP10S		REV. A
	DWN.	Yu	Mar-03-20
	CHK.	YK Liao	Mar-03-20
SHEET 1 OF 1	APP.	Joe Huff	Mar-03-20