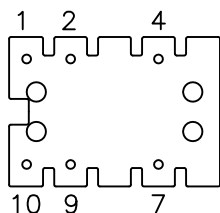
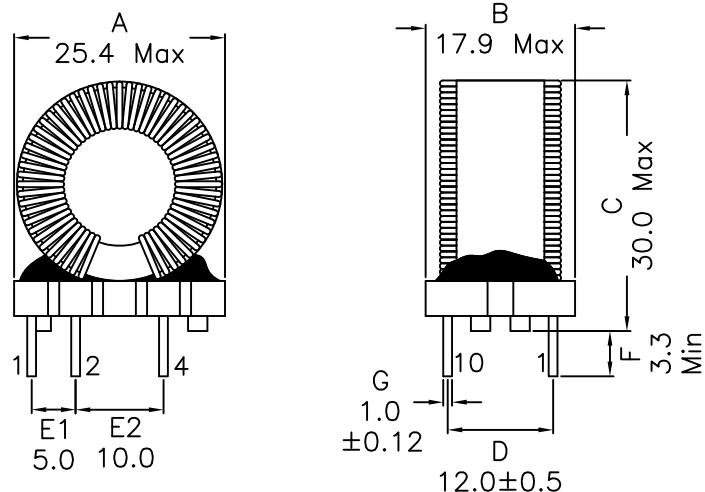


## 1. Mechanical Dimensions:



Bottom view

XFMR5 YYWW  
XF1475-VPLC3D

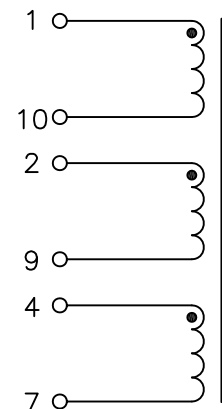
Marking on top

### Notes:

1. Solderability: Leads shall meet MIL-STD-202G, Method 208H for solderability.
2. Flammability: UL94V-0
3. ASTM oxygen index: > 28%
4. Insulation System: Class B 130°C. UL file E151556
5. All listed parameters are to be within tolerance from -40°C to +85°C unless otherwise noted
6. Storage Temperature Range: -55°C to +125°C
7. Aqueous wash compatible
8. Electrical and mechanical specifications 100% tested
9. RoHS Compliant Component

DOC. REV: A/2

## 2. Schematic:



## 3. Electrical Specifications: @25C

- OCL: Pins 1-10 1.47mH±30% @10KHz, 0.1V  
 Pins 1-10 0.65mH Min @10KHz, 0.1V at -40C to 0C  
 Pins 2-9 1.47mH±30% @10KHz, 0.1V  
 Pins 2-9 0.65mH Min @10KHz, 0.1V at -40C to 0C  
 Pins 4-7 5.88mH±30% @10KHz, 0.1V  
 Pins 4-7 2.62mH Min @10KHz, 0.1V at -40C to 0C
- Q: Pins 1-10 30 Min @10KHz, 0.1V
- LL: Pins 1-10 1.0 uH Max @100KHz, 0.1V short all else
- DCR: Pins 1-10 0.387 Ohms Max  
 Pins 2-9 0.387 Ohms Max  
 Pins 4-7 0.774 Ohms Max
- Turns Ratio.: (4-7):(1-10):(2-9)=1.00:0.50:0.50±2%
- Hipot: 500Vac Wdg to Wdg

XFMR5 Inc www.XFMR5.com	Title: TRANSFORMER		
	UNLESS OTHERWISE SPECIFIED	P/N: XF1475-VPLC3D	REV. A
TOLERANCES: .xx ±0.25	DWN.	Yuan	Jul-28-14
Dimensions in MM	CHK.	YK Liao	Jul-28-14
SHEET 1 OF 1	APP.	DDC	Jul-28-14

**PROPRIETARY**

Document is the property of XFMR5 Group & is not allowed to be duplicated without authorization.