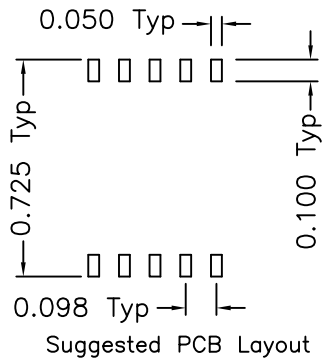
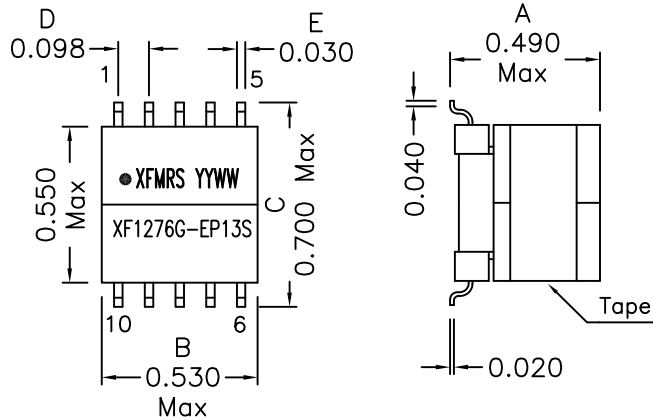
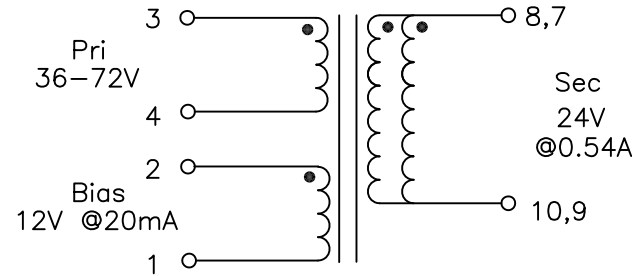


### 1. Mechanical Dimensions:



### 2. Schematic:



### 3. Electrical Specifications:

- OCL: Pins 3-4 127uH±10% @250KHz 0.1V  
Pins 3-4 114.3uH Min @250KHz 0.1V, 1Adc
- Q: 3-4 100 Min @250KHz 0.1V
- LL: Pins 3-4 0.600uH Max @250KHz 0.1V, Short All Else
- DCR: Pins 3-4 0.255 Ohms Max  
Pins 2-1 0.308 Ohms Max  
Pins 8-10/7-9 0.067 Ohms Max (each)
- Turns Ratio(±2%): (3-4):(2-1):(8-10):(7-9)=1:0.50.667:0.667
- Hipot: 1500Vrms Pri & Bias to Sec

Notes:

1. Solderability: Leads shall meet MIL-STD-202G, Method 208H for solderability.
2. Flammability: UL94V-0
3. ASTM oxygen index: > 28%
4. Insulation System: Class F 155°C. UL file E151556
5. Operating Temperature Range: All listed parameters are to be within tolerance from -40°C to +85°C
6. Storage Temperature Range: -55°C to +125°C
7. Aqueous wash compatible
8. SMD Lead Coplanarity: ±0.004"(0.102mm)
9. Electrical and mechanical specifications 100% tested
10. RoHS Compliant Component

DOC. REV: A/1

**PROPRIETARY** Document is the property of XFMRs Group & is not allowed to be duplicated without authorization.

<b>XFMRs Inc</b> www.XFMRs.com		Title: <b>PoE Transformer</b>	
UNLESS OTHERWISE SPECIFIED TOLERANCES: .xxx ±0.010 Dimensions in INCH	P/N:XF1276G-EP13S	REV. A	
		DWN.	Yuan
		CHK.	YK Liao
		APP.	Joe Huff
SHEET 1 OF 1			Mar-03-15