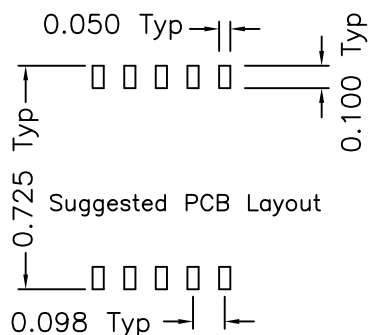
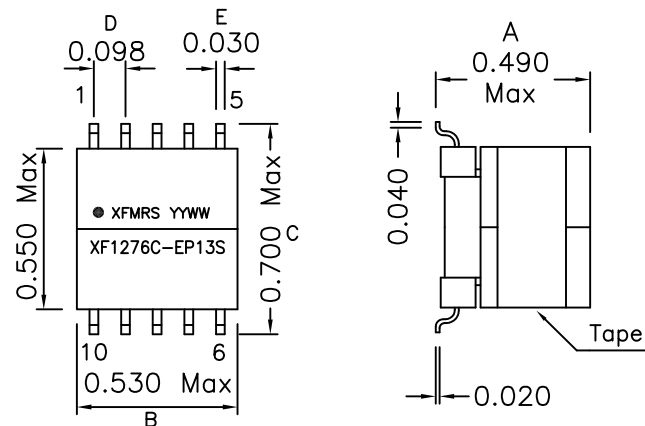
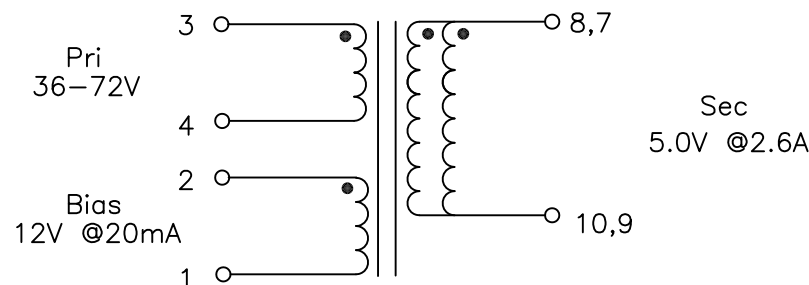


## 1. Mechanical Dimensions:



## 2. Schematic:



## 3. Electrical Specifications:

- OCL: Pins 3-4 127uH±10% @250KHz 0.2V
- OCL: Pins 3-4 114.3uH Min @250KHz 0.2V, 1Adc
- Q: Pins 3-4 45 Min @250KHz 0.2V
- LL: Pins 3-4 0.950uH Max @250KHz 0.1V, Short All Else
- DCR: Pins 3-4 0.222 Ohms Max
- DCR: Pins 2-1 0.348 Ohms Max
- DCR: Pins 8,7-10,9 0.039 Ohms Max
- Turns Ratio: Pins (3-4):(2-1):(8-10):(7-9)= 1:0.5:0.25:0.25
- Hipot: 1500Vrms Pri & Bias to Sec

### Notes:

1. Solderability: Leads shall meet MIL-STD-202G, Method 208H for solderability.
2. Flammability: UL94V-0
3. ASTM oxygen index: > 28%
4. Insulation System: Class F 155°C. UL file E151556
5. Operating Temperature Range: All listed parameters are to be within tolerance from -40°C to +85°C
6. Storage Temperature Range: -55°C to +125°C
7. Aqueous wash compatible
8. SMD Lead Coplanarity: ±0.004"(0.102mm)
9. Electrical and mechanical specifications 100% tested
10. RoHS Compliant Component
11. Recommended IR Reflow peak temp of 250C Max.

DOC. REV: A/2

<b>XFMRs Inc</b> www.XFMRS.com		Title: PoE Transformer	
UNLESS OTHERWISE SPECIFIED TOLERANCES: .xxx ±0.010 Dimensions in INCH		P/N:XF1276C-EP13S	REV. A
		DWN.	Yuan
		CHK.	YK Liao
SHEET 1 OF 1		APP.	BW
			Apr-01-14
			Apr-01-14
			Apr-01-14

**PROPRIETARY**

Document is the property of XFMRs Group & is not allowed to be duplicated without authorization.