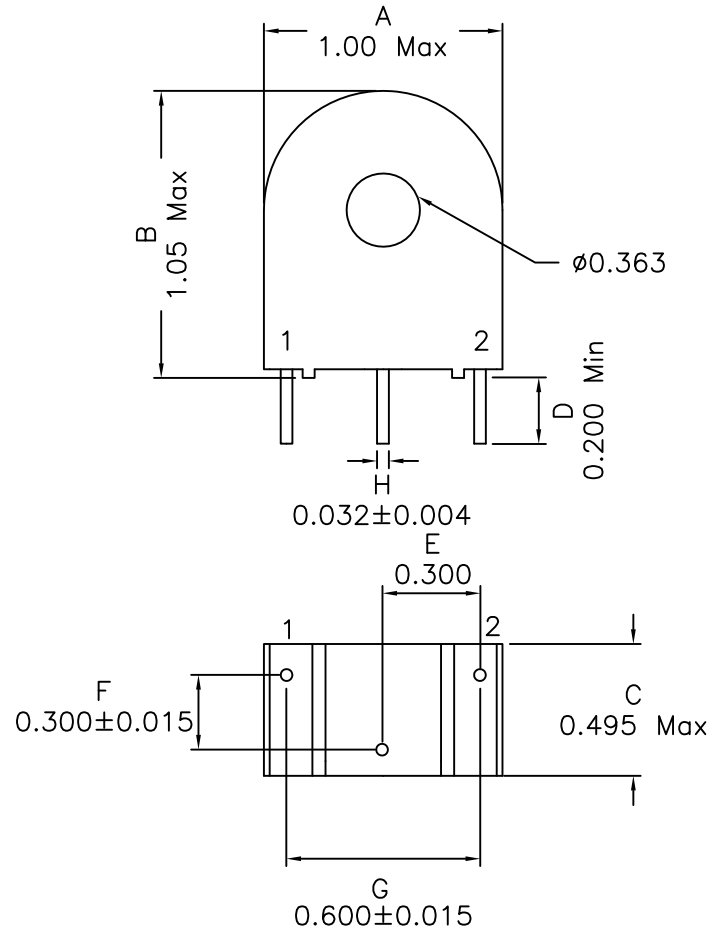


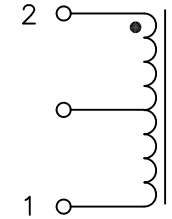
1. Mechanical Dimensions:



XFMRs YYWW
XF1153A-CS

Marking on Top of Part

2. Schematic:



3. Electrical Specifications: @25°C

- OCL: Pins 2-1 45mH Min @10KHz, 1.0V
- DCR: Pins 2-1 41.8 Ohms Typ
- Sensitivity: 1A in = 0.096V out
- Load Resistance: 100 Ohms
- Sensed Current: 60A max
- Hipot: 4000Vac, Epoxy surface to wdgs
- SRF: Pins 2-1 10KHz Min

Notes:

- Solderability: Leads shall meet MIL-STD-202G, Method 208H for solderability.
- Flammability: UL94V-0
- ASTM oxygen index: > 28%
- Insulation System: Class F 155°C. UL file E151556
- Operating Temperature from -40°C to +85°C
- Storage Temperature Range: -55°C to +125°C
- Aqueous wash compatible
- Electrical and mechanical specifications 100% tested
- RoHS Compliant Component

DOC. REV: A/6

XFMRs? www.XFMRs.com	Title: CURRENT SENSING TRANSFORMER		
	P/N: XF1153A-CS		REV. A
UNLESS OTHERWISE SPECIFIED TOLERANCES: .xxx ±0.010 Dimensions in Inch	DWN.	Huo	Apr-04-19
	CHK.	YK Liao	Apr-04-19
SHEET 1 OF 1	APP.	BW	Apr-04-19