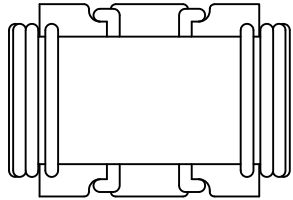
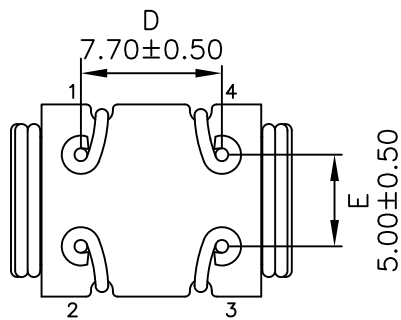
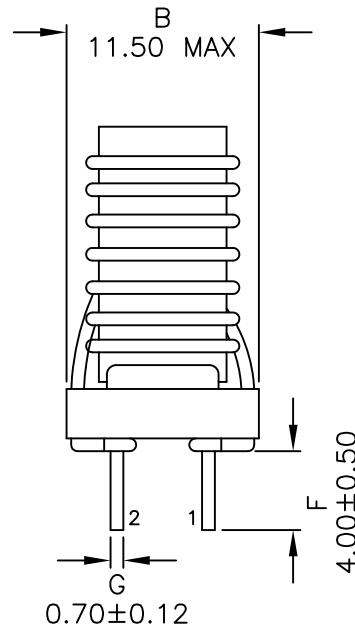
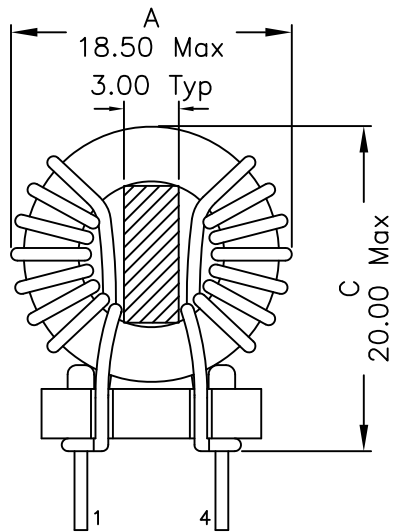


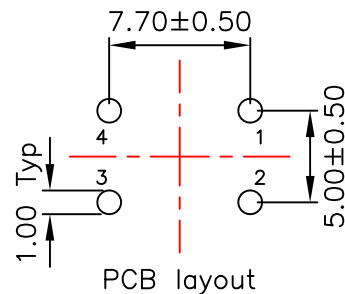
1. Mechanical Dimensions:



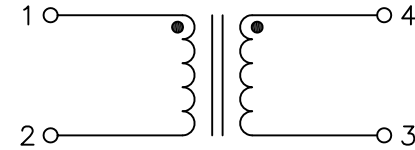
Top view



Bottom view



2. Schematic:



3. Electrical Specifications: @25°C

OCL: 110uH±30% @100KHz, 0.1V Each Wdg

80uH Min @100KHz, 0.1V Each Wdg, 0°C to +125°C

50uH Min @100KHz, 0.1V Each Wdg, -25°C to 0°C

Q: Pins 1-2 30 Min @100KHz, 0.1V

Rated current: 3.0A Max

Rated voltage: 250Vac Max 50Hz

DCR: Pins 1-2 10 mOhms Max

Pins 4-3 10 mOhms Max

Turns Ratio: (1-2):(4-3) = 1.000:1.000±2%

Hipot: 1500Vac, Wdgs to Wdgs, 50Hz

Notes:

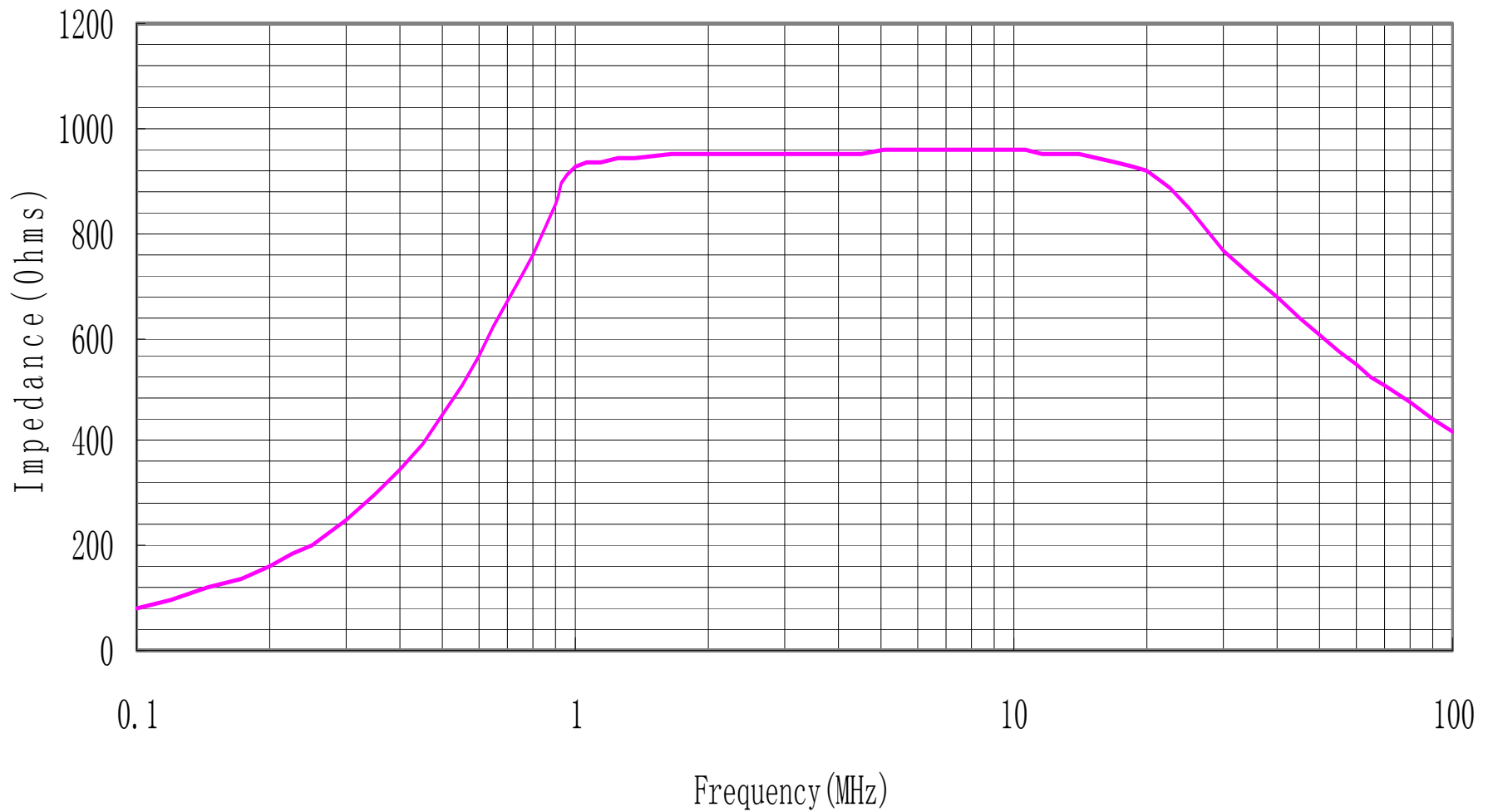
1. Solderability: Leads shall meet MIL-STD-202G, Method 208H for solderability.
2. Flammability: UL94V-0
3. ASTM oxygen index: > 28%
4. Insulation System: Class F 155°C. UL file E151556
5. All listed parameters are to be within tolerance from -25°C to +125°C unless otherwise noted.
6. Storage Temperature Range: -20°C to +60°C
7. Aqueous wash compatible
8. Electrical and mechanical specifications 100% tested
9. RoHS Compliant Component

XFMRs Inc www.XFMRs.com	Title: COMMON MODE CHOKE		
	UNLESS OTHERWISE SPECIFIED	P/N: XF1106-VMCMC7	REV. A
TOLERANCES: .xx ±0.25	DWN.	Yuan	Mar-10-14
Dimensions in MM	CHK.	YK Liao	Mar-10-14
SHEET 1 OF 3	APP.	BSJ	Mar-10-14

DOC. REV: A/2

PROPRIETARY

Document is the property of XFMRs Group & is not allowed to be duplicated without authorization.

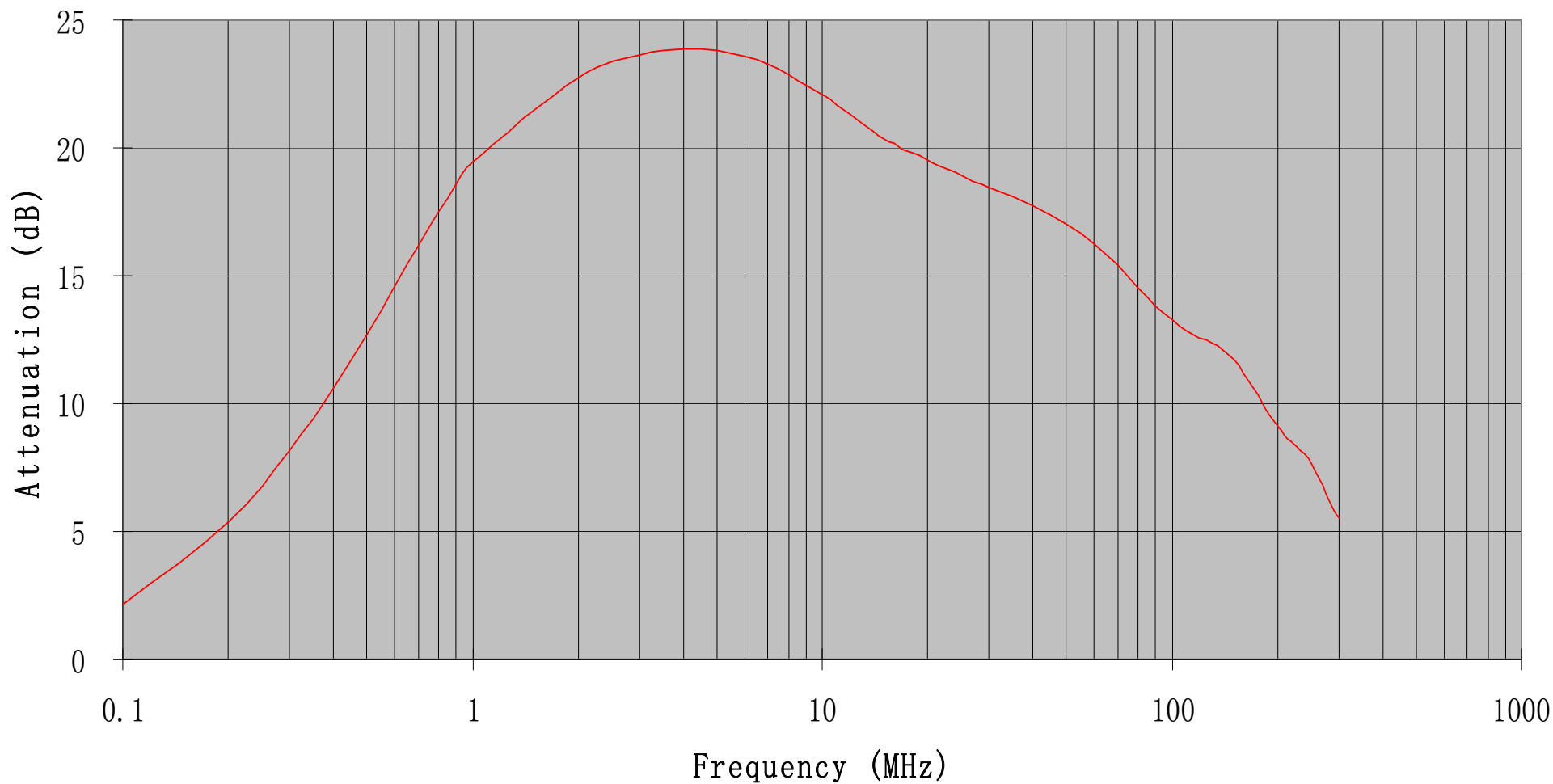


DOC. REV: A/2

XFMRs Inc www.XFMRS.com	Title: COMMON MODE CHOKE		
	UNLESS OTHERWISE SPECIFIED	P/N: XF1106-VMCMC7	REV. A
TOLERANCES: .xx ±0.25	DWN.	Yuan	Mar-10-14
Dimensions in MM	CHK.	YK Liao	Mar-10-14
SHEET 2 OF 3	APP.	BSJ	Mar-10-14

PROPRIETARY

Document is the property of XFMRs Group & is not allowed to be duplicated without authorization.



DOC. REV: A/2

XFMRs Inc www.XFMRS.com	Title: COMMON MODE CHOKE		
	UNLESS OTHERWISE SPECIFIED TOLERANCES: .xx ±0.25 Dimensions in MM	P/N: XF1106-VMCMC7	REV. A
SHEET 3 OF 3	DWN.	Yuan	Mar-10-14
	CHK.	YK Liao	Mar-10-14
	APP.	BSJ	Mar-10-14

PROPRIETARY

Document is the property of XFMRs Group & is not allowed to be duplicated without authorization.