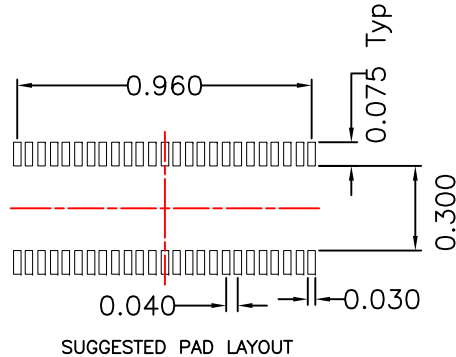
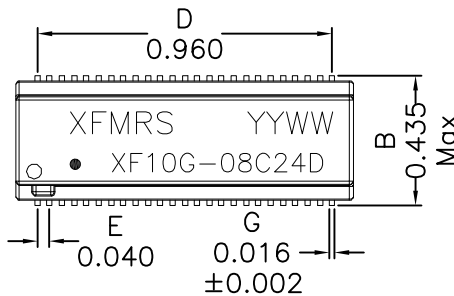
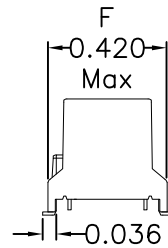
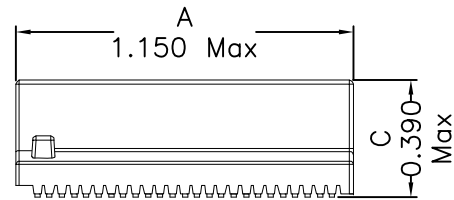


1. Mechanical Dimensions:



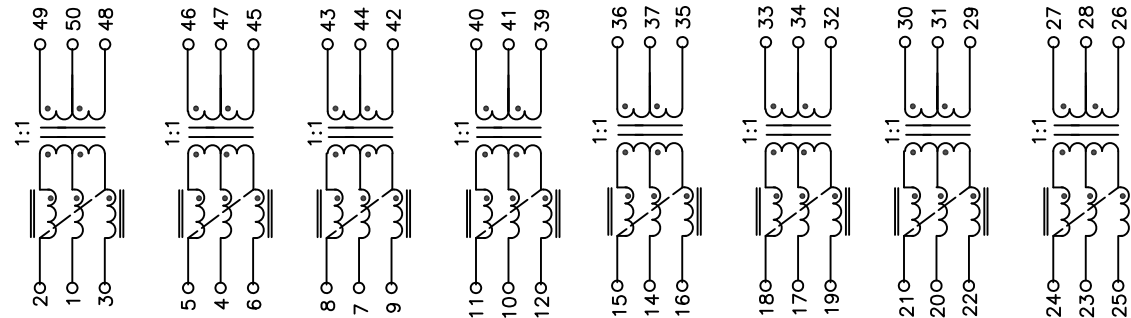
3. Electrical Specifications: @25°C

ISOLATION: 1500 Vrms
 INSERTION LOSS: -3.0dB Max @100KHz
 -1.0dB Max -0.6dB Typ @1-500MHz
 OCL: Pins 2-3,5-6,8-9,11-12, 180uH Min @100KHz 100mV
 Q: 8 Min @10KHz 50mV
 RETURN LOSS: -18dB Min @1-40MHz
 -17dB+10*LOG(f/40) @40MHz-500MHz
 Common to Differential Mode Rejection: -30dB Min @1-250MHz
 -22dB Min @250-500MHz

Crosstalk: -40dB Min @1-100MHz
 -30dB Min @100-500MHz

Turns Ratio: (2-3):(49-48)=1CT:1CT
 (5-6):(46-45)=1CT:1CT
 (8-9):(43-42)=1CT:1CT
 (11-12):(40-39)=1CT:1CT
 (15-16):(36-35)=1CT:1CT
 (18-19):(33-32)=1CT:1CT
 (21-22):(30-29)=1CT:1CT
 (24-25):(27-26)=1CT:1CT

2. Schematic:



PATENT PENDING

Notes:

- Solderability: Leads shall meet MIL-STD-202G, Method 208H for solderability.
- Flammability: UL94V-0
- ASTM oxygen index: > 28%
- Insulation System: Class H 180°C. UL file E151556
- Operating Temperature: -40°C to +125°C
- Storage Temperature Range: -55°C to +125°C
- Aqueous wash compatible
- SMD Lead Coplanarity: ±0.004"(0.102mm)
- Electrical and mechanical specifications 100% tested
- RoHS Compliant Component

XFMRs Inc www.XFMRs.com	Title: DUAL 10GBASE-T MAGNETICS MODULES		
UNLESS OTHERWISE SPECIFIED TOLERANCES: .xxx ±0.010 Dimensions in INCH	P/N:XF10G-08C24D	REV. A	
	DWN.	Huo	Feb-05-18
SHEET 1 OF 1	CHK.	YK Liao	Feb-05-18
	APP.	BSJ	Feb-05-18

DOC REV: A/1

PROPRIETARY

Document is the property of XFMRs Group & is not allowed to be duplicated without authorization.