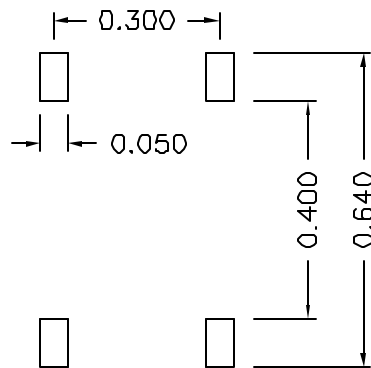
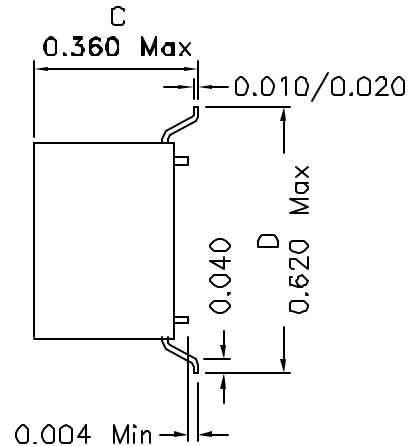
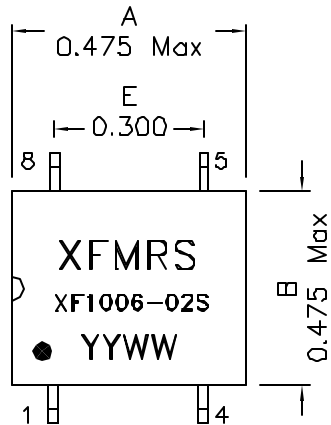
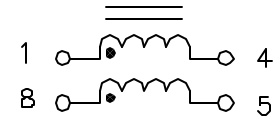


1. Dimensions:



SUGGESTED FOOTPRINT

2. Schematic:



Core: Kool Mu

3. Electrical Specifications: @25°C

Isolation Voltage: 1500Vrms

Turns Ratio: 1:1±2%

OCL: 100uH±10% @10KHz, 0.1V Each Wdg.

Energy Storage: 13mJ

DCR: 0.400 Ohms Max Each Wdg.

Irated: 0.50 Adc Each Wdg. (Based on 10% drop in OCL)

Frequency Range: 100KHz to 1MHz

Notes:

1. Solderability: Leads shall meet MIL-STD-202G, Method 208H for solderability.
2. Flammability: UL94V-0
3. ASTM oxygen index: > 28%
4. Insulation System: Class F 155°C. UL file E151556
5. Operating Temperature Range: All listed parameters are to be within tolerance from -40°C to +85°C
6. Storage Temperature Range: -55°C to +125°C
7. Aqueous wash compatible
8. SMD Lead Coplanarity: ±0.004" (0.102mm)
9. Electrical and mechanical specifications 100% tested
10. RoHS Compliant Component

DOC. REV A/5

XFMRs Inc	Title: COMMON MODE CHOKE		
	UNLESS OTHERWISE SPECIFIED TOLERANCES: .xxx ±0.010	P/N: XF1006-02S	REV. A
Dimensions in Inch	DWN.	Xiany	Oct-02-08
SCALE 2:1 SHT 1 OF 1	CHK.	YK Liao	Oct-02-08
	APP.	Joe Huff	Oct-02-08