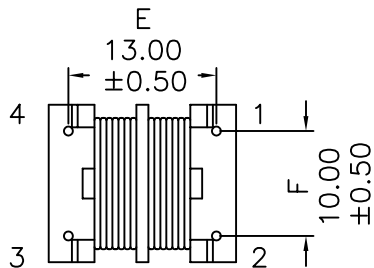
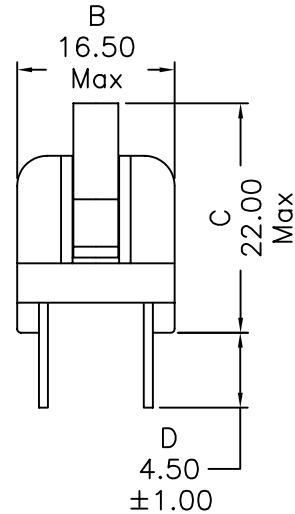
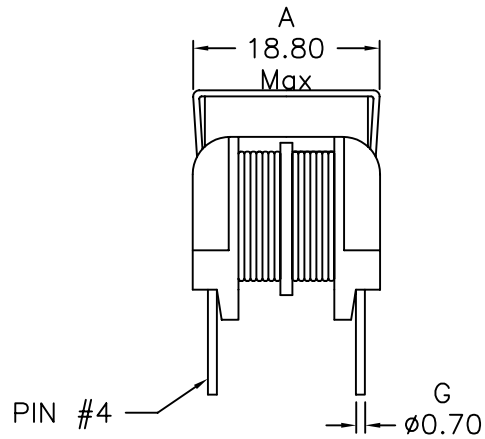
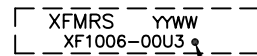


### 1. Mechanical Dimensions:



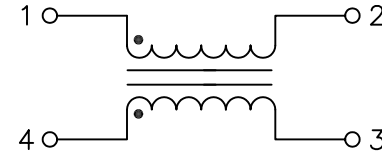
(BOTTOM VIEW)

MARKING: (Top View)



Dot pin#1

### 2. Schematic:



### 3. Electrical Specifications:

OCL: 100uH Min @1KHz 0.1V, Each Wdg

LL: Pins 1-2 15uH Max @100KHz 0.1V, Tie 3&4

Impedance: 1.6KOhms Max @ 3.1MHz

Q: Pins 1-2 tbd Min @1KHz 0.1V

DCR: 0.080 Ohms Max, Each Wdg

HIPOT: 1000Vac, Wdg to Wdg, 1 Sec

Notes:

1. Solderability: Leads shall meet MIL-STD-202G, Method 208H for solderability.
2. Flammability: UL94V-0
3. ASTM oxygen index: > 28%
4. Insulation System: Class F 155°C. UL file E151556
5. Operating Temperature Range: All listed parameters are to be within tolerance from -40°C to +85°C
6. Storage Temperature Range: -55°C to +125°C
7. Aqueous wash compatible
8. Electrical and mechanical specifications 100% tested
9. RoHS Compliant Component

<b>XFMRS Inc</b> www.XFMRS.com	Title: LINE FILTER		
	UNLESS OTHERWISE SPECIFIED	P/N: XF1006-00U3	REV. A
TOLERANCES: .xx ±0.25	DWN.	Juan Mao	Feb-16-10
Dimensions in MM	CHK.	YK Liao	Feb-16-10
SHEET 1 OF 1	APP.	BW	Feb-16-10

DOC REV: A/1