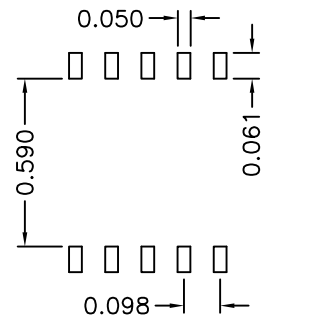
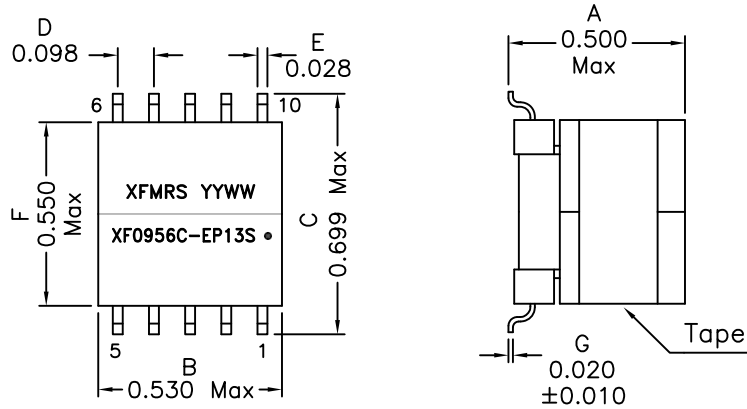


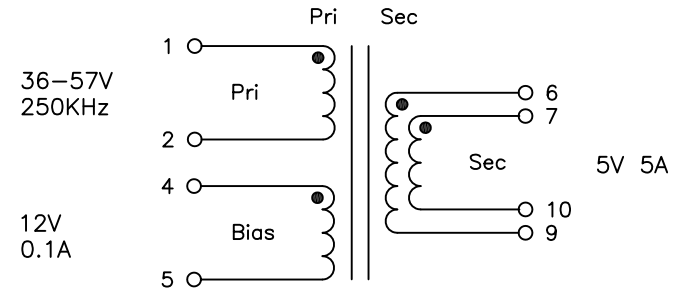
1. Mechanical Dimensions:



Notes:

1. Solderability: Leads shall meet MIL-STD-202G, Method 208H for solderability.
2. Flammability: UL94V-0
3. ASTM oxygen index: > 28%
4. Insulation System: Class F 155°C. UL file E151556
5. Operating Temperature Range: -40°C to +85°C
6. Storage Temperature Range: -40°C to +85°C
7. Aqueous wash compatible
8. SMD Lead Coplanarity: 0.004" (0.102mm)
9. Electrical and mechanical specifications 100% tested
10. RoHS Compliant Component
11. Recommended IR Reflow peak temp of 250°C Max.

2. Schematic:



3. Electrical Specifications: @25°C

OCL: Pins 1-2 95uH±10% @250KHz 0.1V, 0Adc

Q: Pins 1-2 40 Min @250KHz 0.1V

LL: Pins 1-2 0.994uH Max @100KHz 0.1V, Short Sec

Cw/w: Pins 1-7 85pF Max @100KHz 0.1V Short Pri; Sec

DCR: Pins 1-2 146 mOhms Max

Pins 4-5 532 mOhms Max

Pins 6-9 21mOhms Max (Short P6+7; P10+9)

Turns Ratio: (1-2):(4-5):(6-9):(7-10)

= 1.00:0.92:0.36:0.36±2%

Hipot: 1500Vac, Pri to Sec

500Vac, Pri to Bias

750Vac, Wdgs to Core

SRF: Pins 1-2 2MHz Min

DOC. REV: A/1

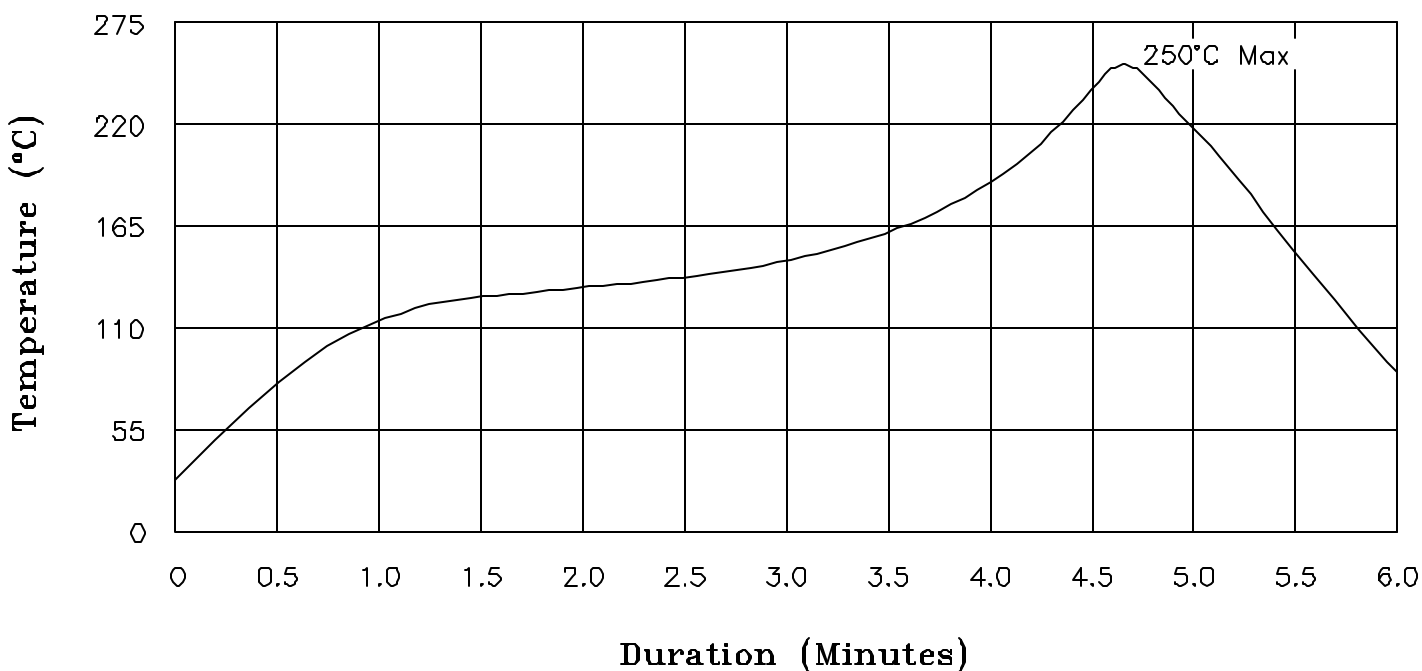
XFMRs ? www.XFMRs.com	Title: TRANSFORMER		
	UNLESS OTHERWISE SPECIFIED	P/N: XF0956C-EP13S	REV. A
TOLERANCES: .xxx ±0.010	DWN.	Huo	Feb-23-19
Dimensions in Inch	CHK.	YK Liao	Feb-23-19
SHEET 1 OF 1	APP.	BW	Feb-23-19

PROPRIETARY

Document is the property of XFMRs Group & is not allowed to be duplicated without authorization.

XFMRs

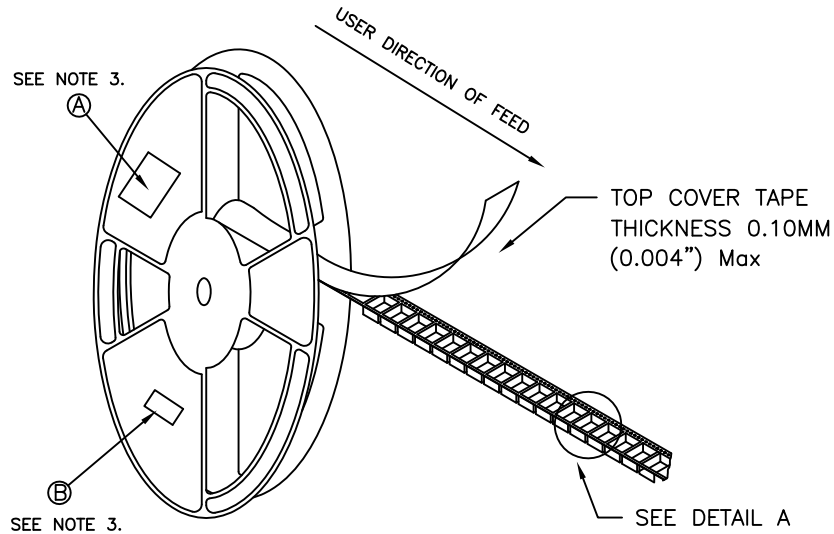
Recommended Infrared Reflow Temperature Profile for Select Parts



NOTES: Maximum duration at 250°+0/-5° shall be 10-15 seconds.
 Maximum duration above 217° shall be 50-120 seconds.
 ALL Temperatures refer to topside of the package, measured on the package body surface.

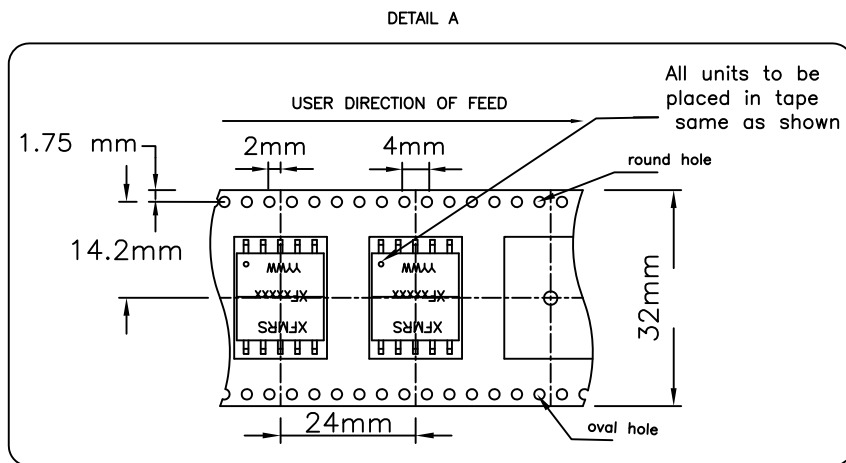
XFMRs Inc www.XFMRs.com	Title: IR REFLOW CHART (250°C)			
	UNLESS OTHERWISE SPECIFIED TOLERANCES: N/A		P/N: N/A	REV. A
	DWN.	Juan Mao	Dec-20-06	
	CHK.	YK Liao	Dec-20-06	
SHEET 1 OF 1	APP.	Joe Huff	Dec-20-06	

TAPE AND REEL SPECIFICATION:



REEL AND TAPE ORIENTATION

13" REEL DIAMETER



FOR PARTS:

- | | | |
|---------------|----------------|---------------|
| XF1313-13HDS | XF0816-EP13S | XFISDNU-05 |
| XF1625-EP13S | XF1313-1MDS | XFISDNU-09S |
| 19011 | XF1313-26HDS | XFADSL23S |
| 19016A | XF1313-4HDS | XF0013-AD4S |
| 19018A | XF1313-7HDMS | 8693-3447861 |
| 19018M | XF400-01S | 8693-3410714 |
| TS0425 | XF441-01S | 3531PWR171S@A |
| XF0020-EP13S | XFADSL13SA | 3531PWR163S@A |
| XF0053-AD4S | XFADSL17S | 3531PWR134S@A |
| XF0123-EP13S | XFADSL18S | XFADSL29SB |
| XF0154-EP13S | XFADSL21 | XF0033-EP13SM |
| XF0203-EP13S | XFADSL26S | XF0043-AD4MS |
| XF0203A-EP13S | XFATM-SM3 | XF0254-EP13S |
| XF0503-EP13S | XFISDNU-00 | XFADSL48S |
| XF0254-EP13S | XF1976-EP13S | 2710-0099 |
| ST320135002 | XF6006-EP13S | XF2203-EP13S |
| ST321635000 | 8693-3410714-1 | 19040A |
| 560-0125 | XFADSL45S | XF2003-EP13S |
| XF0013A-EP13S | XF1313-29HDS | XF2897-EP13S |
| XFADSL62S | XF1215-EP13S | 19044A |
| XF2566-EP13S | XF1447-EP13S | 2710-0095 |
| XF3277-EP13S | XF0376-EP13S | |

DOC REV:A/4

PROPRIETARY

Document is the property of XFMRs Group & is not allowed to be duplicated without authorization.

XFMRs Inc	Title: T&R SPEC		
UNLESS OTHERWISE SPECIFIED TOLERANCES: .xxs ±xxxxx Dimensions in mm	P/N: SMD EP13 series		REV: A
	DWN.	Kong	Apr-10-10
	CHK.	YK Liao	Apr-10-10
SHT 1 OF 2	APP.	BW	Apr-10-10