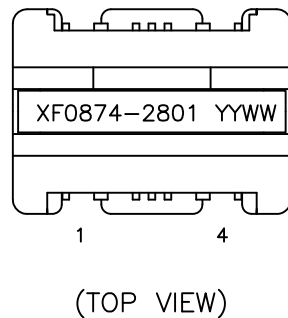
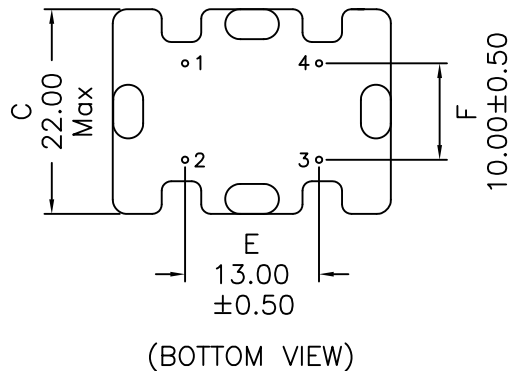
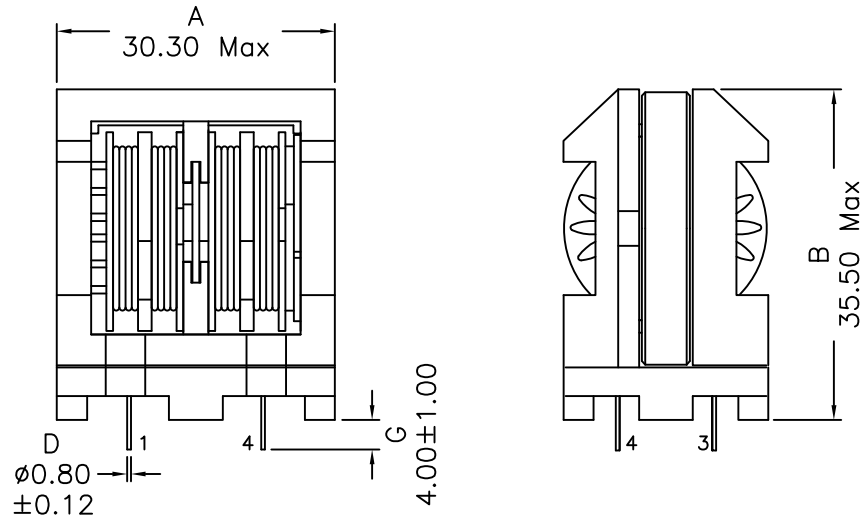
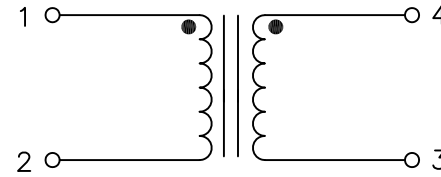


### 1. Mechanical Dimensions:



### 2. Schematic:



### 3. Electrical Specifications: @25°C

- OCL: 8.70mH Min @10KHz, 0.1V Each Wdg  
 1.75mH Min @10KHz, 0.1V Each Wdg (-40°C to +25°C)
- Q: 5 Min @1KHz 0.1V, Each Wdg
- LL: Pins 1-2 135uH Max @10KHz, 0.1V, short 4+3
- DCR: 0.186 Ohms Max, Each Wdg
- Irms: 1.90Arms Max (Based on 40°C Temp Rise)
- SRF: Pins1-2 80KHz Min
- Turns Ratio: (1-2):(4-3)=1.000:1.000±2%
- Hipot: 2500Vac, Wdg to Wdg

**Notes:**

1. Solderability: Leads shall meet MIL-STD-202G, Method 208H for solderability.
2. Flammability: UL94V-0
3. ASTM oxygen index: > 28%
4. Insulation System: Class F 155°C. UL file E151556
5. All listed parameters are to be within tolerance from -40°C to +85°C unless otherwise noted.
6. Storage Temperature Range: -55°C to +130°C
7. Aqueous wash compatible
8. Electrical and mechanical specifications 100% tested
9. RoHS Compliant Component

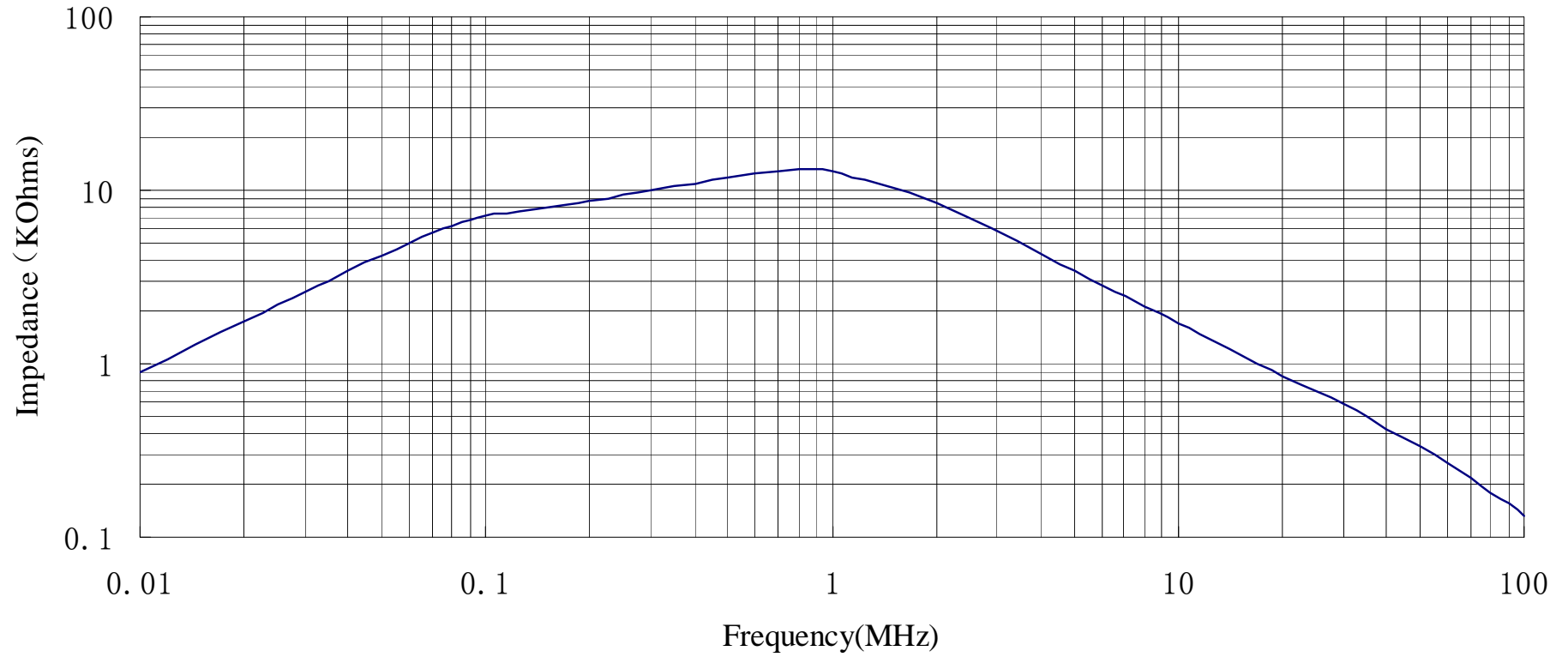
<b>XFMRs Inc</b> www.XFMRs.com	Title: LINE FILTER		
	UNLESS OTHERWISE SPECIFIED TOLERANCES:		P/N: XF0874-2801
.xx ±0.25	DWN.	Xiang	REV. A
Dimensions in MM	CHK.	YK Liao	May-24-16
SHEET 1 OF 2	APP.	BW	May-24-16

DOC. REV: A/1

**PROPRIETARY**

Document is the property of XFMRs Group & is not allowed to be duplicated without authorization.

at 25C



<b>XFMRs Inc</b> www.XFMRS.com	Title: LINE FILTER		
	P/N: XF0874-2801		REV. A
	DWN.	Xiang	May-24-16
	CHK.	YK Liao	May-24-16
UNLESS OTHERWISE SPECIFIED TOLERANCES: .xx ±0.25 Dimensions in MM	APP.	BW	May-24-16
SHEET 2 OF 2			

DOC. REV: A/1

**PROPRIETARY**

Document is the property of XFMRs Group & is not allowed to be duplicated without authorization.