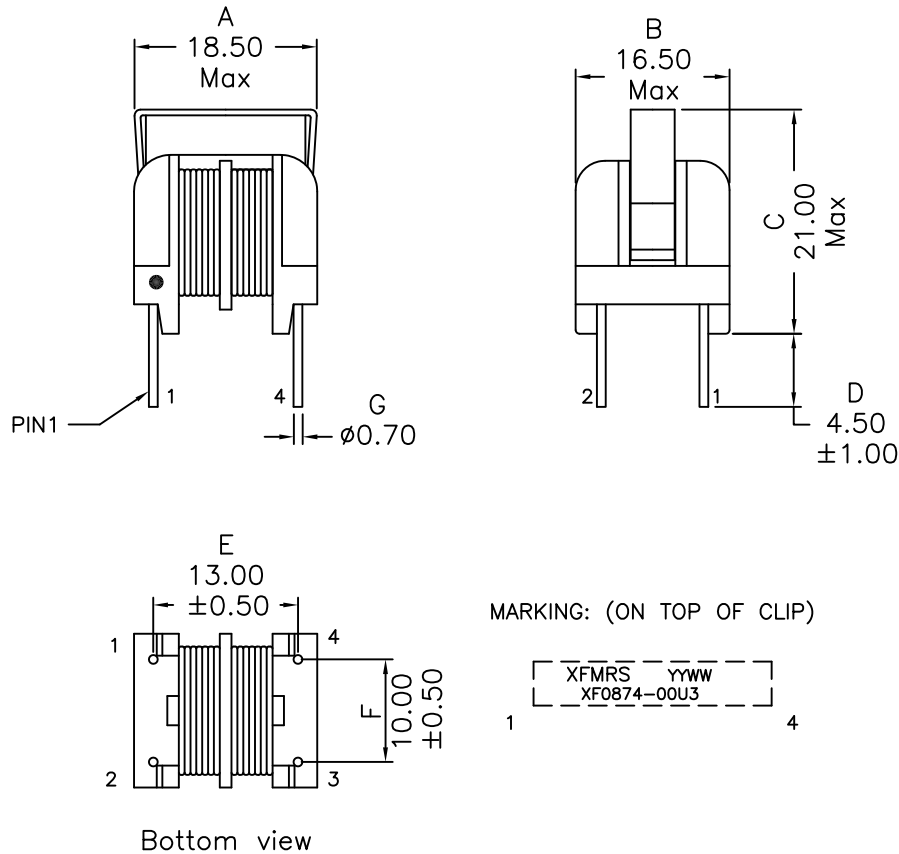


1. Mechanical Dimensions:

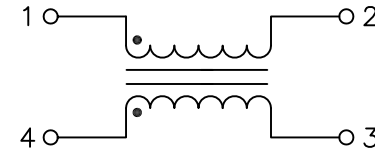


Notes:

1. Solderability: Leads shall meet MIL-STD-202G, Method 208H for solderability.
2. Flammability: UL94V-0
3. ASTM oxygen index: > 28%
4. Insulation System: Class F 155°C. UL file E151556
5. All listed parameters are to be within tolerance from -20°C to +115°C unless otherwise noted
6. Storage Temperature Range: -55°C to +125°C
7. Aqueous wash compatible
8. Electrical and mechanical specifications 100% tested
9. RoHS Compliant Component

DOC. REV: A/1

2. Schematic:



3. Electrical Specifications: @25°C

OCL: 8.7mH Min @1KHz, 1V Each (-20°C to +85°C)

Q: tbd Min @10KHz, 0.1V Each

DC Resistance: tbd Ohms Max Each Wdg.

Rated Voltage: 300VAC

Rated Current: 0.7Arms

HI-POT: 2000VAC 1 second (PIN1-2 TO PIN3-4)

PROPRIETARY

Document is the property of XFMRS Group & is not allowed to be duplicated without authorization.

XFMRS Inc. www.XFMRS.com	Title: LINE FILTER		
	UNLESS OTHERWISE SPECIFIED TOLERANCES: .xx ± 0.25 Dimensions in MM		P/N: XF0874-00U3
SHEET 1 OF 1	DWN.	Yuan	Sep-27-13
	CHK.	YK Liao	Sep-27-13
	APP.	DDC	Sep-27-13