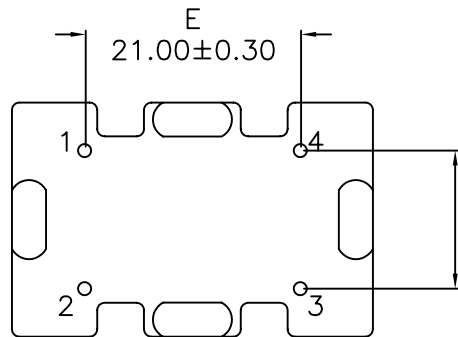
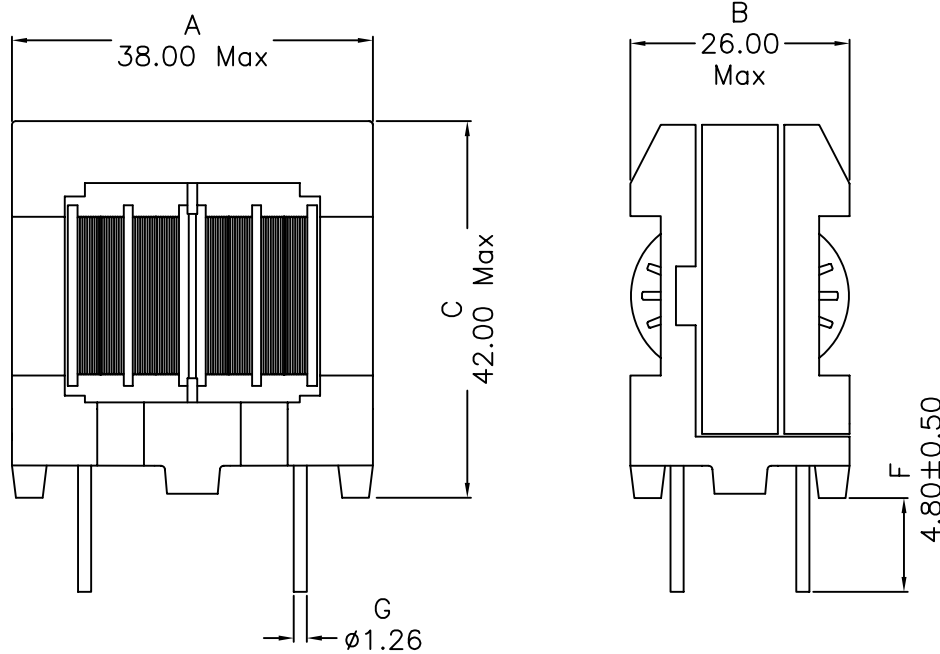
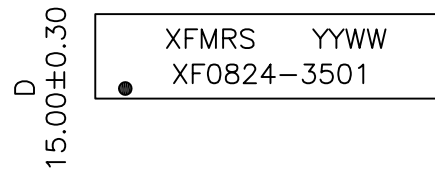


1. Mechanical Dimensions:



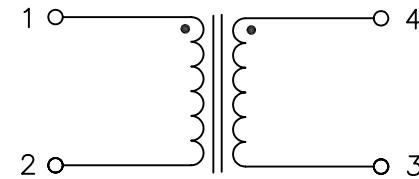
BOTTOM VIEW

Marking: (on TOP)



DOC REV: A/3

2. Schematic:



3. Electrical Specifications:

- OCL: 8.2mH Min @1KHz 1V, Each Wdg
- DCR: 0.15 Ohms Max, Each Wdg
- Insulation Resistance: 100MOhms Min @500Vdc
- Rated Voltage: 250VAC/VDC
- Irated: 3.0Arms Max
- HIPOT: 2000Vac Wire to Wire

Notes:

1. Solderability: Leads shall meet MIL-STD-202, Method 208D for solderability.
2. Flammability: UL94V-0
3. ASTM oxygen index: > 28%
4. Insulation System: Class F 155°C. UL file E151556
5. Operating Temperature Range: All listed parameters are to be within tolerance from -20°C to +115°C
6. Storage Temperature Range: -55°C to +125°C
7. Aqueous wash compatible

XFMRS Inc	Title: COMMON MODE CHOKE		
	UNLESS OTHERWISE SPECIFIED TOLERANCES: .xx ±0.25 Dimensions in mm	P/N: XF0824-3501	REV. A
Scale 2:1 SHT 1 OF 1	DWN.	Juan Mao	Jan-17-05
	CHK.	YK Liao	Jan-17-05
	APP.	Isaiah M	Jan-17-05