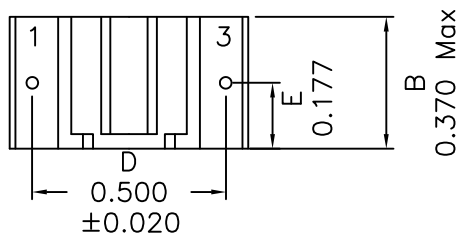
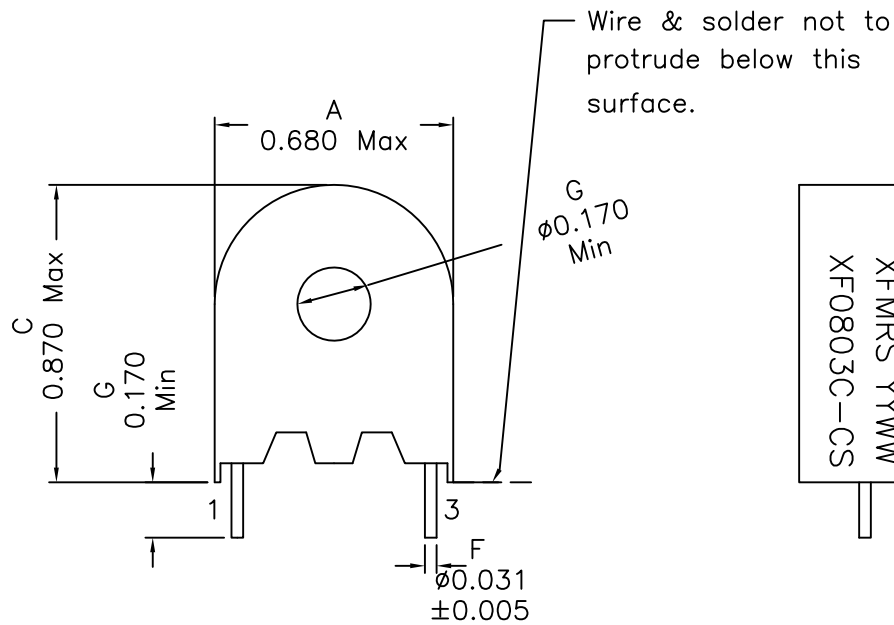
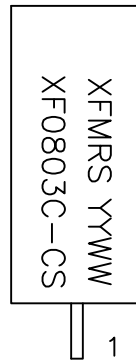


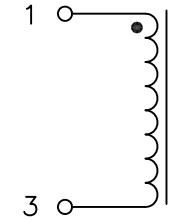
## 1. Mechanical Dimensions:



Bottom View



## 2. Schematic:



## 3. Electrical Specifications: @25°C

OCL: Pins 1-3 80mH Min @15.75KHz, 2.0V

Q: Pins 1-3 5 Min @15.75KHz, 2.0V

Pri Unipolar A uS: 600 Max

Pri Bipolar A uS: 1200 Max

Terminating Resistor: 200 Ohms

DCR: Pins 1-3 4.5 Ohms Max

SRF: Pins 1-3 30KHz Min

### Notes:

1. Solderability: Leads shall meet MIL-STD-202G, Method 208H for solderability.
2. Flammability: UL94V-0
3. ASTM oxygen index: > 28%
4. Insulation System: Class F 155°C. UL file E151556
5. Operating Temperature: -40°C to +85°C
6. Storage Temperature Range: -55°C to +125°C
7. Aqueous wash compatible
8. Electrical and mechanical specifications 100% tested
9. RoHS Compliant Component

**XFMRs Inc.**  
www.XFMRs.com

Title: OUTPUT CURRENT SENSING  
TRANSFORMER (L22)

UNLESS OTHERWISE SPECIFIED  
TOLERANCES:  
.xxx±0.010

P/N: XF0803C-CS

REV. A

Dimensions in INCH

DWN.

Huo

May-05-17

CHK.

YK Liao

May-05-17

SHEET 1 OF 1

APP.

BSJ

May-05-17

DOC. REV A/2

**PROPRIETARY**

Document is the property of XFMRs Group & is not allowed to be duplicated without authorization.