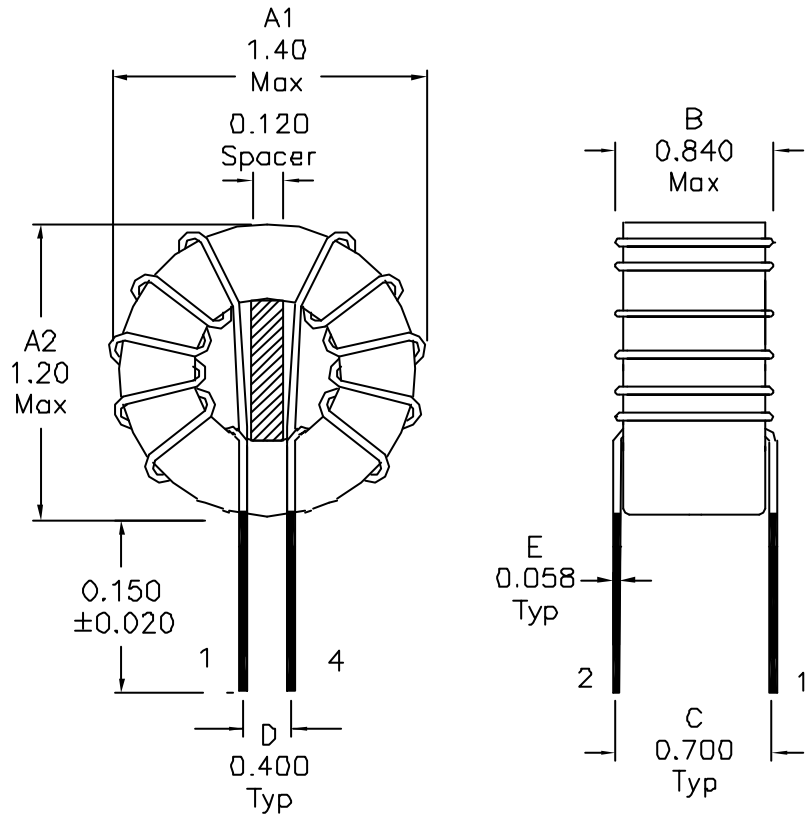


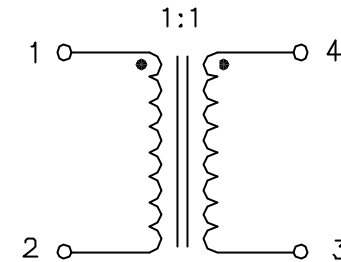
1. Mechanical Dimensions:



Notes:

1. Solderability: Leads shall meet MIL-STD-202G, Method 208H for solderability.
2. Flammability: UL94V-0
3. ASTM oxygen Index: > 28%
4. Insulation System: Class F 155°C, UL file E151556
5. Operating Temperature Range: All listed parameters are to be within tolerance from -40°C to +85°C
6. Storage Temperature Range: -55°C to +125°C
7. Aqueous wash compatible
8. Electrical and mechanical specifications 100% tested
9. RoHS Compliant Component

2. Schematic:



3. Electrical Specifications:

OCL: 3.0mH Min @10KHz 0.1V, Each Wdg
 DC Resistance: 0.020 Ohms Max, Each Wdg
 Rated Current: 12Arms
 Isolation Voltage: 1000Vrms

DOC. REV A/3

XFMR5 Inc	Title: Common Mode Choke		
UNLESS OTHERWISE SPECIFIED TOLERANCES: .xx ±0.01 Dimensions in Inch	P/N: XF0684-VOCMC	REV. A	
	DWN.	廖玉坤	Jan-30-04
SHEET 1 OF 1	CHK.	李清儿	Jan-30-04
	APP.	Joe Huff	Jan-30-04