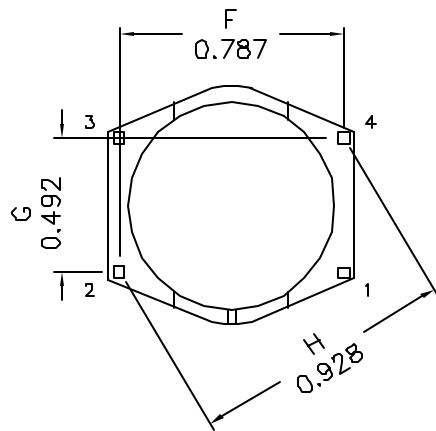
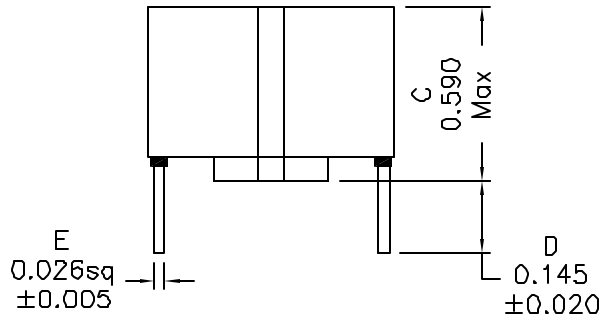
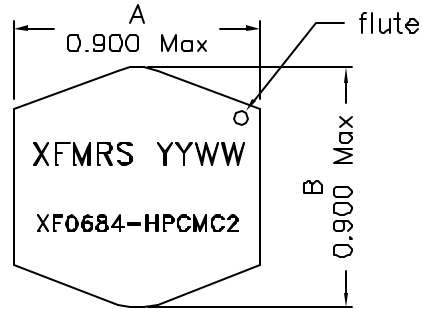


1. Mechanical Dimensions:

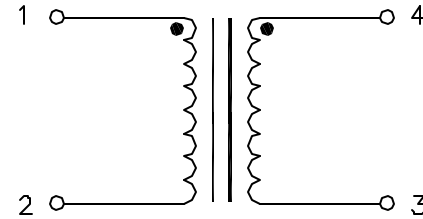


(BOTTOM VIEW)

Notes:

1. Solderability: Leads shall meet MIL-STD-202G, Method 208H for solderability.
2. Flammability: UL94V-0
3. ASTM oxygen index: > 28%
4. Insulation System: Class F 155°C. UL file E151556
5. Operating Temperature Range: All listed parameters are to be within tolerance from -40°C to +125°C
6. Storage Temperature Range: -40°C to +125°C
7. Aqueous wash compatible
8. Electrical and mechanical specifications 100% tested
9. RoHS Compliant Component

2. Schematic:

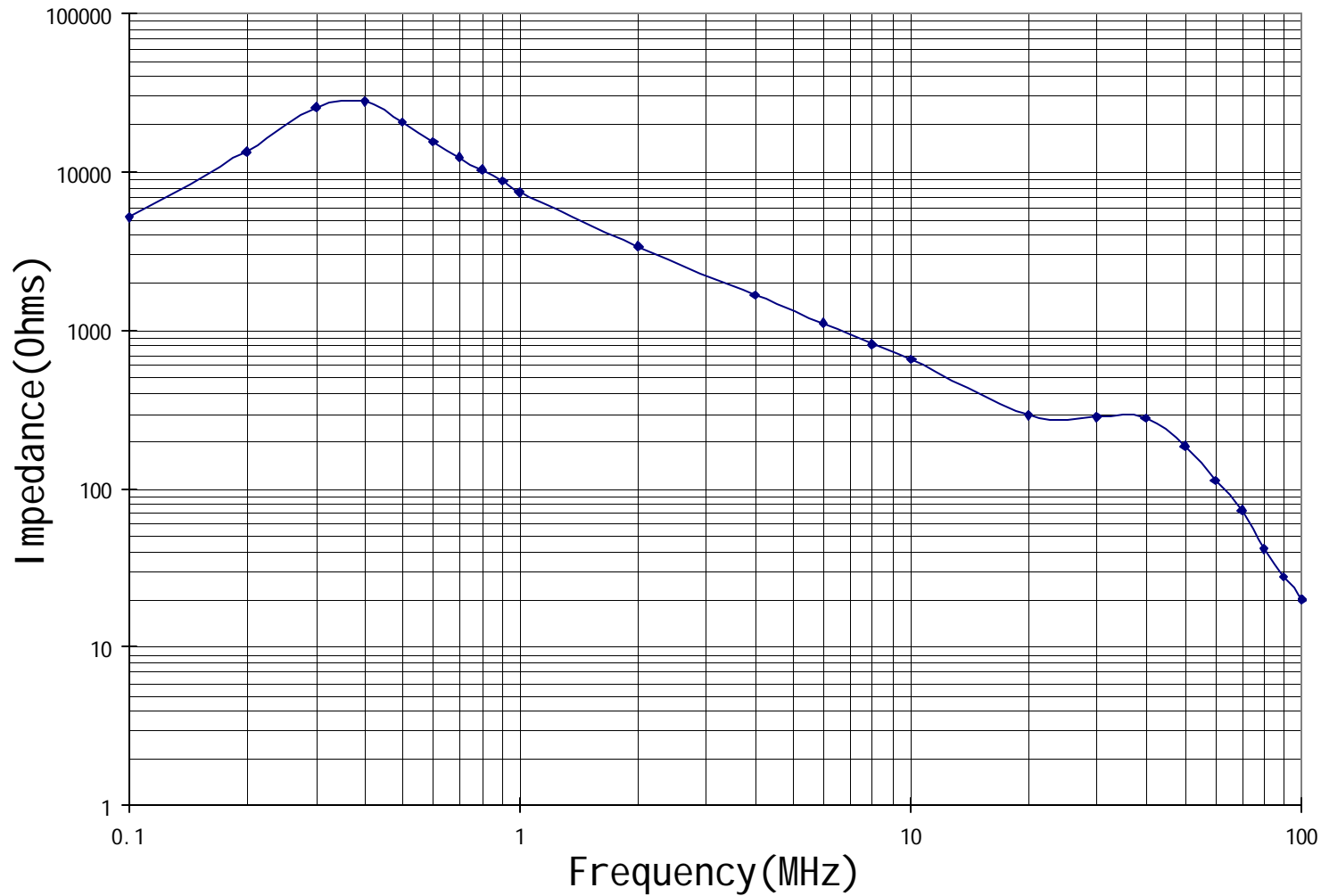


3. Electrical Specifications: @25°C

- OCL: 6.8mH±30% @10KHz 0.05V, Each Wdg (0°C to +85°C)
3.4mH Min @10KHz 0.05V, Each Wdg (-40°C to 0°C)
- Q: Pins 1-2 30 Min @10KHz 0.05V
- DCR: 200 mOhms Max (Each Wdg)
- LL: Pins 1-2 100 uH Max @100KHz, 0.1V (Short Pins 4-3)
- Cw/w: Pins 1-3 35 pF Max @100KHz, 0.1V
- SRF: Pins 1-2 180KHz Min
- Rated Current: 1.5Arms Nominal at 40°C
- Rated Voltage: 450V Max 50/60Hz
- Hipot: 1500Vac, 50Hz, Wdg. to Wdg., 2 Sec

DOC. REV: A/4

XFMR5 Inc. www.XFMR5.com		Title: Common Mode Choke	
UNLESS OTHERWISE SPECIFIED TOLERANCES: .xxx ±0.020	P/N: XF0684-HPCMC2		REV. A
	DWN.	Feng	Mar-07-12
Dimensions in INCH	CHK.	YK Liao	Mar-07-12
SHEET 1 OF 2	APP.	Joe Huff	Mar-07-12



DOC. REV: A/4

XFMRs Inc. www.XFMRs.com	Title: Common Mode Choke			
	UNLESS OTHERWISE SPECIFIED TOLERANCES: .xxx ±0.020 Dimensions in INCH	P/N: XF0684-HPCMC2	REV. A	
	DWN.	Feng	Mar-07-12	
	CHK.	YK Liao	Mar-07-12	
SHEET 2 OF 2	APP.	Joe Huff	Mar-07-12	

PROPRIETARY Document is the property of XFMRs Group & is not allowed to be duplicated without authorization.