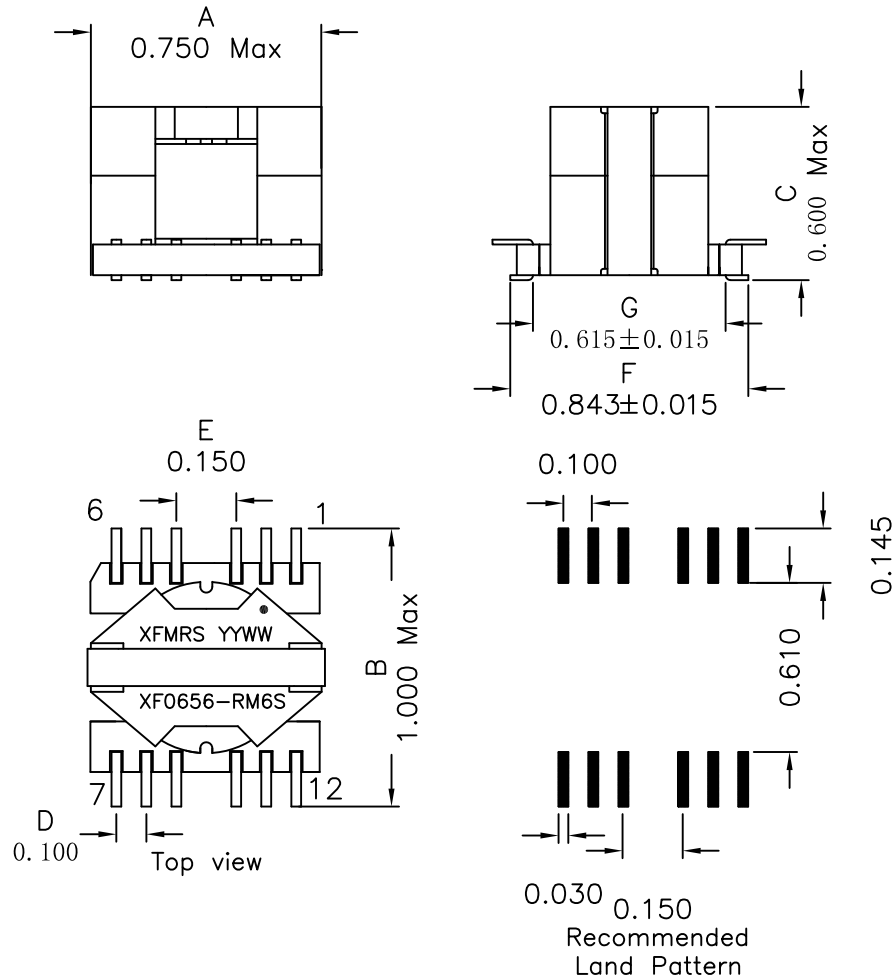
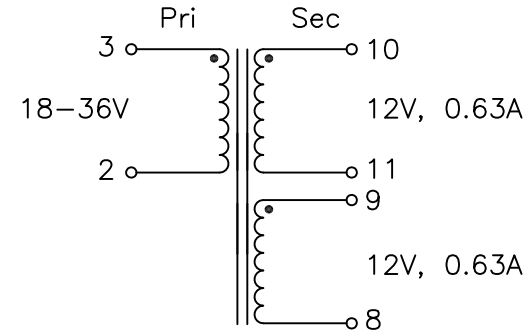


## 1. Mechanical:



## 2. Schematic:



## 3. Electrical Specifications: @25°C

OCL: Pins 3-2 65uH±15% @100KHz 0.1V  
 OCL: Pins 3-2 57uH Min @100KHz 0.1V 3Adc  
 LL: Pins 3-2 3.0uH Max @100KHz 0.1V Short Sec

Volt-time product: 299.7 Vusec Max

DCR: Pins 3-2 0.065 Ohms Typ

DCR: Pins 10-11 0.15 Ohms Typ

DCR: Pins 9-8 0.15 Ohms Typ

HI-POT: 500Vac Pri to Sec, all Wdgs to Core

URNS RATIO: (3-2):(10-11):(9-8)=1.00:1.20:1.20±2%

### Notes:

- Solderability: Leads shall meet MIL-STD-202G, Method 208H for solderability.
- Flammability: UL94V-0
- ASTM oxygen index: > 28%
- Insulation System: Class F 155°C. UL file E151556
- Operating Temperature Range: All listed parameters are to be within tolerance from -40°C to +85°C
- Storage Temperature Range: -55°C to +125°C
- Aqueous wash compatible
- SMD Lead Coplanarity: ±0.004" (0.102mm)
- Electrical and mechanical specifications 100% tested
- RoHS Compliant Component

|                                   |                            |                  |           |
|-----------------------------------|----------------------------|------------------|-----------|
| <b>XFMRS Inc</b><br>www.XFMRS.com | Title: FLYBACK             |                  |           |
|                                   | UNLESS OTHERWISE SPECIFIED | P/N: XF0656-RM6S | REV. A    |
| TOLERANCES:<br>.xxx ±0.10         | DWN.                       | Yuan             | Oct-24-13 |
| Dimensions in Inch                | CHK.                       | YK Liao          | Oct-24-13 |
| SHEET 1 OF 1                      | APP.                       | BSJ              | Oct-24-13 |

DOC. REV. A/-

**PROPRIETARY**

Document is the property of XFMRS Group & is not allowed to be duplicated without authorization.