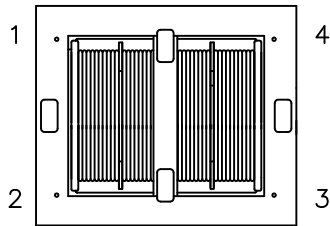
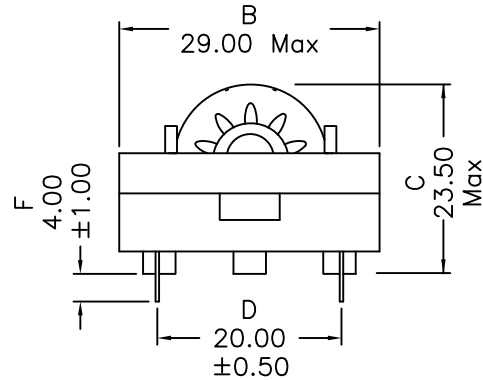
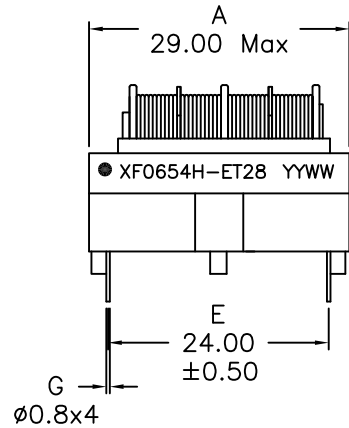


1. Mechanical Dimensions:



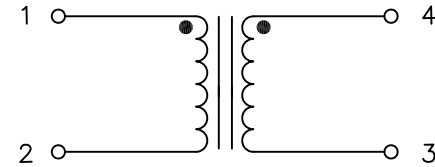
(BOTTOM VIEW)

Notes:

1. Solderability: Leads shall meet MIL-STD-202G, Method 208H for solderability.
2. Flammability: UL94V-0
3. ASTM oxygen index: > 28%
4. Insulation System: Class F 155°C. UL file E151556
5. Operating Temperature Range: All listed parameters are to be within tolerance from -40°C to +85°C
6. Storage Temperature Range: -55°C to +125°C
7. Aqueous wash compatible
8. Electrical and mechanical specifications 100% tested
9. RoHS Compliant Component

DOC REV: A/2

2. Schematic:



3. Electrical Specifications:

OCL: 6.5mH Min @1KHz 0.1V, Each Wdg

Q: 10 Min @1KHz 0.1V, Each Wdg

DCR: 0.140 Ohms Max, Each Wdg

Rated Current: 3.0Aac

Hipot: 2000Vac, Wdg to Wdg, Wdgs to Core

XFMRs Inc www.XFMRS.com	Title: LINE FILTER		
	UNLESS OTHERWISE SPECIFIED TOLERANCES:	P/N: XF0654H-ET28	REV. A
.xx ±0.30	DWN.	Yaun	Sep-17-13
Dimensions in mm	CHK.	YK LlaO	Sep-17-13
SHEET 1 OF 1	APP.	Joe Huff	Sep-17-13

PROPRIETARY Document is the property of XFMRs Group & is not allowed to be duplicated without authorization.