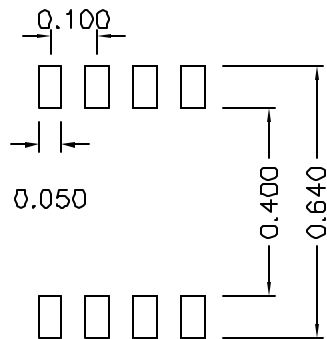
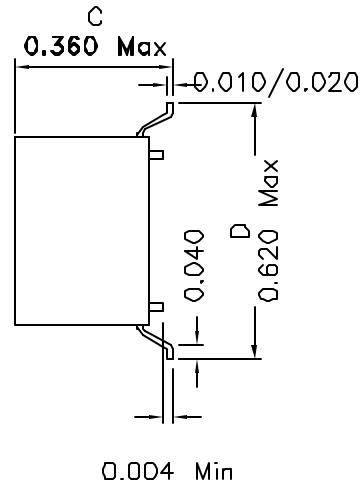
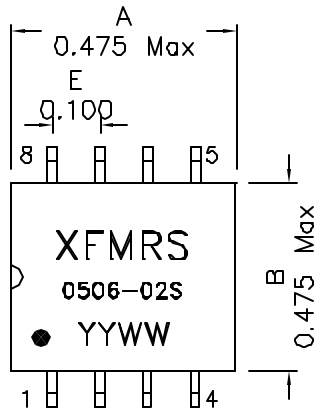
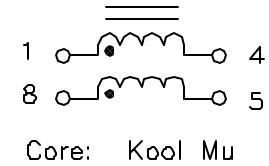


### 1. Dimensions:



SUGGESTED FOOTPRINT

### 2. Schematic:



### 3. Electrical Specifications: @25°C

Isolation Voltage: 1500Vrms

Turns Ratio: 1:1±2%

OCL: 50uH±10% @10KHz, 0.1V Each Wdg.

Energy Storage: 25mJ

DCR: 0.400 Ohms Max Each Wdg.

Irated: 1.0 Adc Each Wdg. (Based on 10% drop in OCL)

Frequency Range: 100KHz to 1MHz

#### Notes:

1. Solderability: Leads shall meet MIL-STD-202G, Method 208H for solderability.
2. Flammability: UL94V-0
3. ASTM oxygen index > 28%
4. Insulation System: Class F 155°C. UL file E151556
5. Operating Temperature Range: All listed parameters are to be within tolerance from -40°C to +85°C
6. Storage Temperature Range: -55°C to +125°C
7. Aqueous wash compatible
8. SMD Lead Coplanarity: ±0.004"(0.102mm)
9. Electrical and mechanical specifications 100% tested
10. RoHS Compliant Component

DOC. REV A/7

<b>XFMR5 Inc</b>  UNLESS OTHERWISE SPECIFIED TOLERANCES: .xxx ±0.010 Dimensions in Inch SCALE 2:1 SHT 1 OF 1	Title: COMMON MODE INDUCTOR		
	P/N: XF0506-02S		REV. A
	DWN.	Xianyì	Sep-25-08
	CHK.	YK Liao	Sep-25-08
	APP.	Joe Huff	Sep-25-08