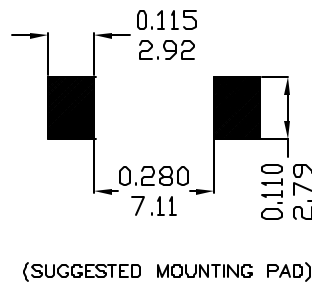
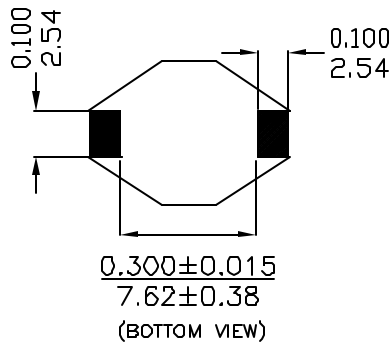
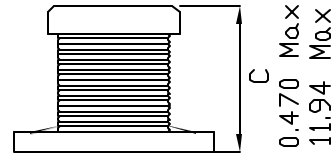
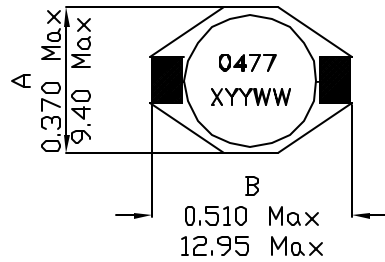
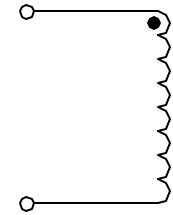


1. Mechanical Dimensions:



2. Schematic:



3. Electrical Specifications: @25°C

INDUCTANCE: 4.7uH±15% @100KHz 0.1V

Q: 8 Min @100KHz 0.1V

DC RESISTANCE: 0.013 OHMS Maximum

Isat: 12.0A

Irms: 5.5A

INDUCTANCE: drop 10% Typ at ISA

Notes:

1. Solderability: Leads shall meet MIL-STD-202G, Method 208H for solderability.
2. Flammability: UL94V-0
3. ASTM oxygen index: > 28%
4. Insulation System: Class F 155°C. UL file E151556
5. Operating Temperature Range: All listed parameters are to be within tolerance from -40°C to +85°C
6. Storage Temperature Range: -55°C to +125°C
7. Aqueous wash compatible
8. SMD Lead Coplanarity: ±0.004"(0.102mm)
9. Electrical and mechanical specifications 100% tested
10. RoHS Compliant Component

DOC. REV. A/4

PROPRIETARY

Document is the property of XFMRS Group & is not allowed to be duplicated without authorization.

XFMRS Inc www.XFMRS.com		Title: XFSMD2 SERIES INDUCTORS	
UNLESS OTHERWISE SPECIFIED TOLERANCES: .xxx ±0.010 INCH Dimensions in INCH/MM	P/N: XF0477S2		REV. A
	DWN.	Feng	Jan-11-11
	CHK.	YK Liao	Jan-11-11
SHEET 1 OF 2	APP.	Joe Huff	Jan-11-11