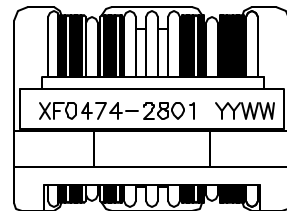
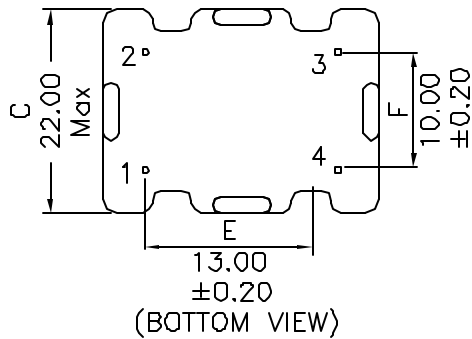
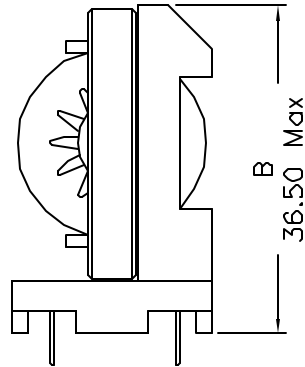
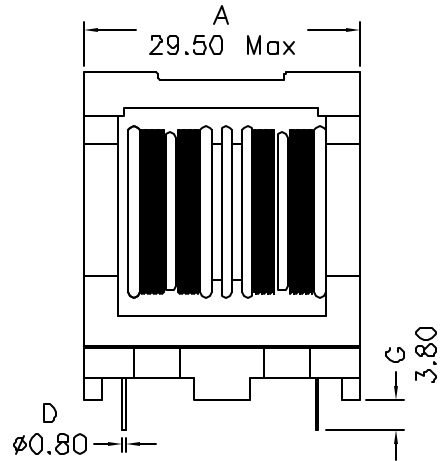
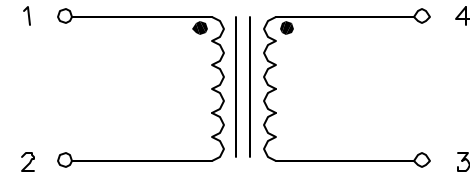


1. Mechanical Dimensions:



2. Schematic:



3. Electrical Specifications:

OCL: 4.7mH Min @1KHz 0.1V, Each Wdg
 DCR: 0.100 Ohms Typical, Each Wdg
 IDC: 2.80Arms Max
 Rated Voltage: 80–300Vac 50/60Hz
 Hipot: 2000Vac, Wdg to Wdg

Notes:

1. Solderability: Leads shall meet MIL-STD-202B, Method 208H for solderability.
2. Flammability: UL94V-0
3. ASTM oxygen index: > 28%
4. Insulation System: Class F 155°C. UL file E151556
5. Operating Temperature Range: All listed parameters are to be within tolerance from -40°C to +120°C
6. Storage Temperature Range: -55°C to +125°C
7. Aqueous wash compatible
8. Electrical and mechanical specifications 100% tested
9. RoHS Compliant Component

DOC REV: A/3

PROPRIETARY Document is the property of XFMR5 Group & is not allowed to be duplicated without authorization.

XFMR5 Inc	Title: LINE FILTER		
	UNLESS OTHERWISE SPECIFIED TOLERANCES: .xx ± 0.30		P/N: XF0474-2801
Dimensions in mm	REV. A	DWN.	Juan Mao
SHEET 1 OF 1	APP.	CHK.	YK Liao
			Joe Huff
			Dec-15-09
			Dec-15-09
			Dec-15-09