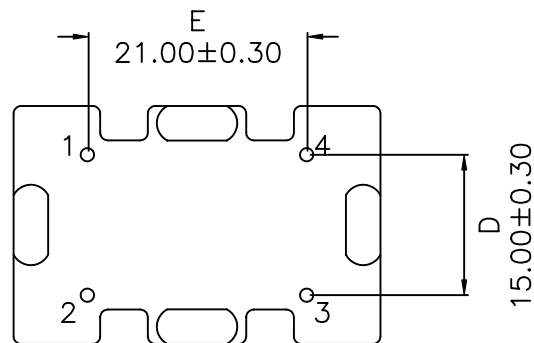
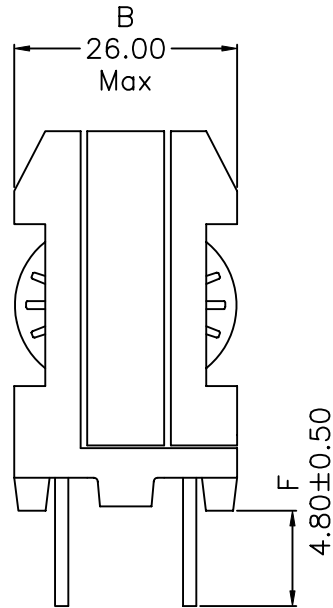
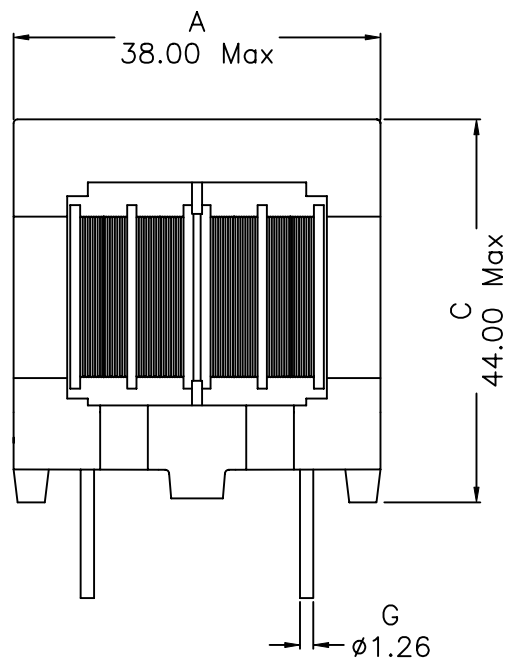
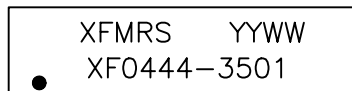


1. Mechanical Dimensions:

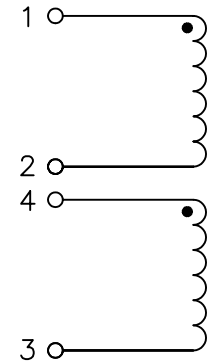


BOTTOM VIEW

Marking: (on TOP)



2. Schematic:



3. Electrical Specifications:

- OCL: 4.4mH Min @1KHz, 1V Each Wdg
- DCR: Pins 1-2 0.070 Ohms Max
- DCR: Pins 4-3 0.070 Ohms Max
- SRF: 670KHz Min
- Irated: 4.0Arms Max
- HIPOT: 2500Vac Wire to Wire

Notes:

1. Solderability: Leads shall meet MIL-STD-202, Method 208D for solderability.
2. Flammability: UL94V-0
3. ASTM oxygen index: > 28%
4. Insulation System: Class F 155°C. UL file E151556
5. Operating Temperature Range: All listed parameters are to be within tolerance from -20°C to +115°C
6. Storage Temperature Range: -55°C to +125°C
7. Aqueous wash compatible

XFMRS Inc	Title: COMMON MODE CHOKE	
	P/N: XF0444-3501	REV. A
UNLESS OTHERWISE SPECIFIED TOLERANCES: .xx ± 0.25 Dimensions in mm	DWN.	刘鹏 Oct-31-03
	CHK.	李小锋 Oct-31-03
Scale 2:1 SHT 1 OF 1	APP.	BW Oct-31-03

DCO. REV. A/1