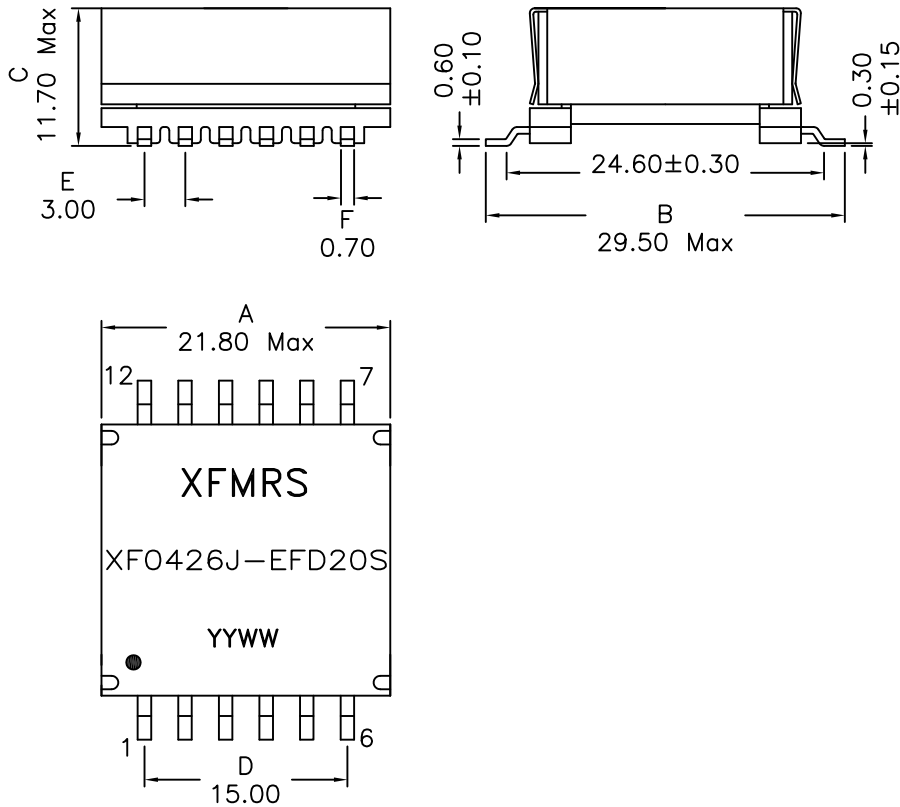
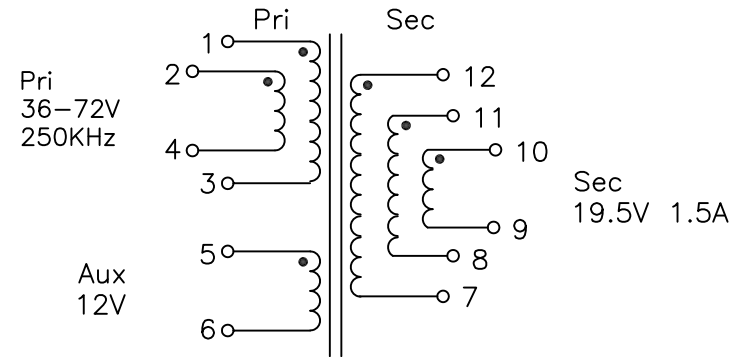


1. Mechanical Dimensions:



2. Schematic:



3. Electrical Specifications: @25°C

OCL: Pins 1,2-4,3 42uH ±10% @250KHz, 0.7V
 LL: Pins 1,2-4,3 0.430uH Max @250KHz, 0.7V, Short Secs
 DCR: Pins 1,2-4,3 0.060 Ohms Max
 Pins 5-6 0.195 Ohms Max
 Pins 12,11,10-7,8,9 0.037 Ohms Max
 Turns Ratio: Pins (1,2-3,4):(12,11,10-7,8,9):(5-6)=
 1.00:0.560:0.333
 Isolation Voltage: 1500Vrms, Pri&Aux to Sec
 Isolation Voltage: 500Vrms, Pri to Aux
 Peak Primary Current: 2.6A

Notes:

1. Solderability: Leads shall meet MIL-STD-202G, Method 208H for solderability.
2. Flammability: UL94V-0
3. ASTM oxygen index: > 28%
4. Insulation System: Class F 155°C. UL file E151556
5. Operating Temperature Range: All listed parameters are to be within tolerance from -40°C to +85°C
6. Storage Temperature Range: -55°C to +125°C
7. Aqueous wash compatible
8. SMD Lead Coplanarity: ±0.004"(0.102mm)
9. Electrical and mechanical specifications 100% tested
10. RoHS Compliant Component
11. Recommended IR Reflow temp of 250C Max

DOC. REV A/-

XFMRs Inc www.XFMRs.com		Title: 30W POE Transformer	
UNLESS OTHERWISE SPECIFIED TOLERANCES: .xx ±0.25 Dimensions in MM	P/N: XF0426J-EFD20S	REV. A	
	DWN.	Juan Mao	Jan-13-15
	CHK.	YK Liao	Jan-13-15
SHEET 1 OF 1	APP.	BSJ	Jan-13-15

PROPRIETARY

Document is the property of XFMRs Group & is not allowed to be duplicated without authorization.