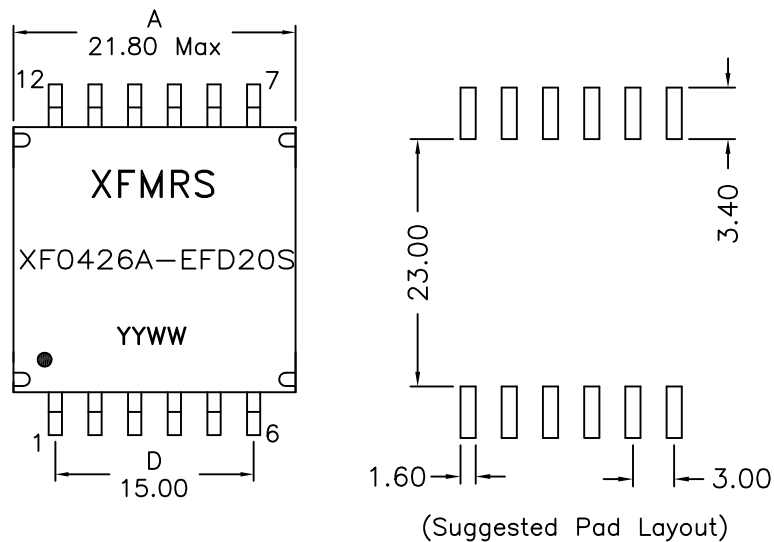
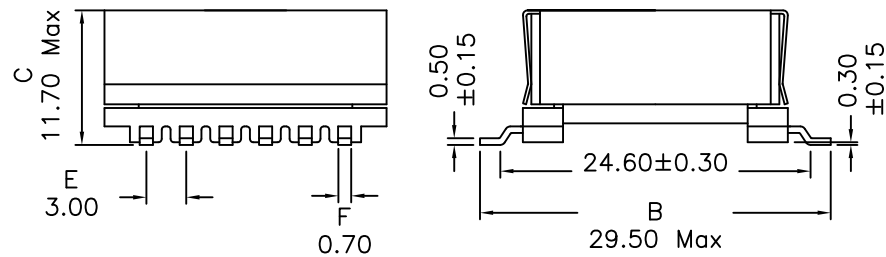


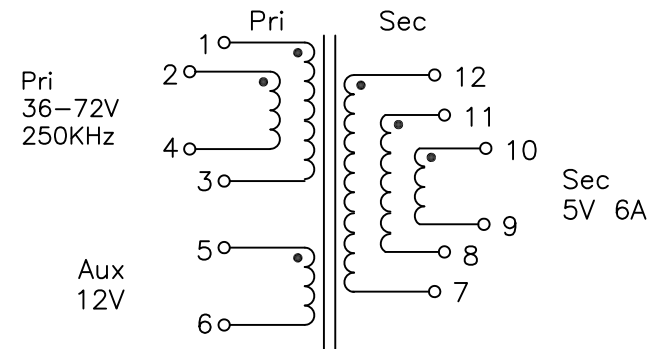
1. Mechanical Dimensions:



Notes:

1. Solderability: Leads shall meet MIL-STD-202G, Method 208H for solderability.
2. Flammability: UL94V-0
3. ASTM oxygen index: > 28%
4. Insulation System: Class F 155°C. UL file E151556
5. All listed parameters are to be within tolerance from -40°C to +85°C unless otherwise noted
6. Storage Temperature Range: -55°C to +125°C
7. Aqueous wash compatible
8. SMD Lead Coplanarity: ±0.004"(0.102mm)
9. Electrical and mechanical specifications 100% tested
10. RoHS Compliant Component
11. All crossover wires must be insulated with tape.
12. Recommended IR Reflow peak temp of 235°C Max.

2. Schematic:



3. Electrical Specifications: @25°C

OCL: Pins 1,2-4,3 42uH±10% @250KHz, 0.7V

Pins 1,2-4,3 37.8uH Min @250KHz, 0.7V, 2.6Adc

Q: Pins 1,2-4,3 30 Min @250KHz, 0.7V

LL: Pins 1,2-4,3 1.60uH Max @250KHz, 0.7V, Short Secs

DCR: Pins 1-3 0.120 Ohms Max

Pins 2-4 0.120 Ohms Max

Pins 5-6 0.225 Ohms Max

Pins 12-7 0.150 Ohms Max

Pins 11-8 0.150 Ohms Max

Pins 10-9 0.150 Ohms Max

Turns Ratio: Pins (1,2-3,4):(12,11,10-7,8,9):(5-6)=
1.00:0.14:0.333

Isolation Voltage: 1500Vrms, Pri&Aux to Sec

Peak Primary Current: 2.6A

XFMRs Inc www.XFMRs.com	Title: 30W POE Transformer		
	UNLESS OTHERWISE SPECIFIED	P/N: XF0426A-EFD20S	REV. A
TOLERANCES:	DWN.	Yuan	Jan-12-15
.xx ±0.25	CHK.	YK Liao	Jan-12-15
Dimensions in MM	APP.	BW	Jan-12-15
SHEET 1 OF 1			

DOC. REV A/6

PROPRIETARY

Document is the property of XFMRs Group & is not allowed to be duplicated without authorization.